

Key Features

- Extreme's proprietary DHC-Imaging™ technology for definitive high-contrast license plate capture
- Optional LXR color camera provides overview vehicle images that show shape, color and other vehicle details
- Precision engineered optics captures plates from vehicles moving up to 120mph (~190kph) for high speed applications
- Powerful Metaphase-LED infrared array delivers powerful IR illumination for license plate capture up to 120ft (~36m)
- Advanced ambient rejection technology solves problems related to glare from sunlight, headlights and high-beams
- 600TVL 1/2" LXR CCD for high resolution plate images
- 24/7 license plate capture in day or dark conditions
- Energy efficient operation at 24VAC
- Robust housing, NEMA4 compliant
- Suitable for outdoor use in all-weather conditions
- Long-life LEDs help eliminate bulb changes
- High-contrast DHC-Imaging™ allows optimal DVR integration or Automatic License Plate Recognition (ALPR) performance
- DHC-Imaging™ technology delivers images of both conventional plates and Digital License Plates (DLPs)

Product Description

REG-Z1 - featuring DHC-Imaging™ - delivers advanced performance license plate capture for technical surveillance and represents the latest generation of license plate capture solutions from Extreme CCTV. DHC-Imaging™ integrates advances in optics, IR illumination and Ambient Rejection technology to produce high-contrast license plate images characterized by unmatched clarity.

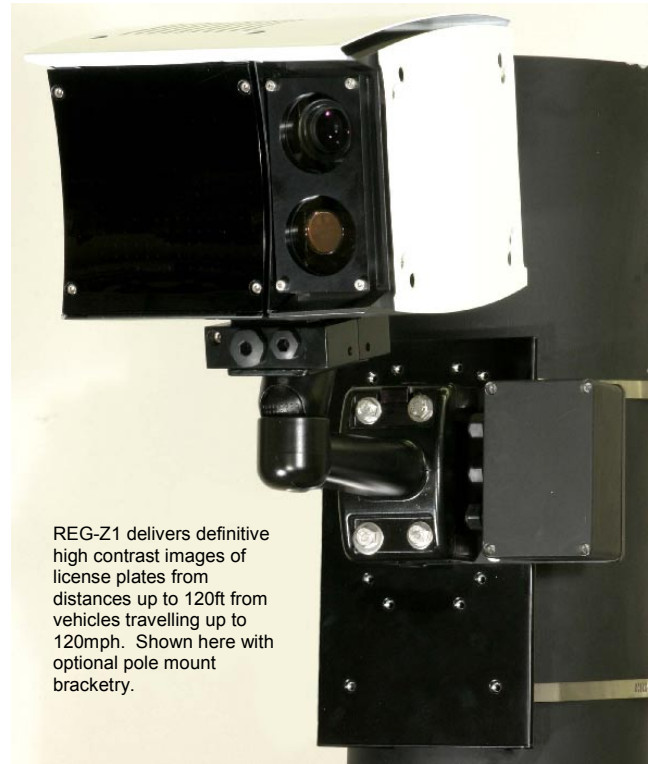
Using solid-state Metaphase-LEDs, REG-Z1 achieves an operational up to 120ft, the greatest range in Extreme's family of REG cameras. Combined with Extreme's Ambient Rejection technology, REG-Z1 provides high-contrast license plate capture across the complete spectrum of ambient lighting conditions from total darkness to direct glare from sunlight or high-beams.

Incorporating a 1/2" LXR CCD, the high speed optical engine within DHC-Imaging™ captures plates from vehicles moving up to 120mph (190kph), a breakthrough speed capability that now enables award-winning plate capture for high speed applications. An optional 480 TVL LXR color camera captures overview images for additional video evidence showing vehicle shape, color and other details.

REG-Z1 is housed in a weather-sealed unit compliant to NEMA4, proven for successful application in extreme environments. The high-efficiency Metaphase-LED array eliminates the need for routine bulb changes while consuming an average of only 30 watts. Installer friendly features such as junction box, cable-managed wall bracket and easy-access optics ensure quick and easy installations.

REG-Z1 integrates easily with industry standard DVRs, IP video servers and wireless broadband equipment. The DHC-Imaging™ technology is precision engineered to deliver high-contrast images for intelligent software platforms such as REG-ALERT for Automatic License Plate Recognition (ALPR) applications.

Product Images



REG-Z1 delivers definitive high contrast images of license plates from distances up to 120ft from vehicles travelling up to 120mph. Shown here with optional pole mount bracketry.

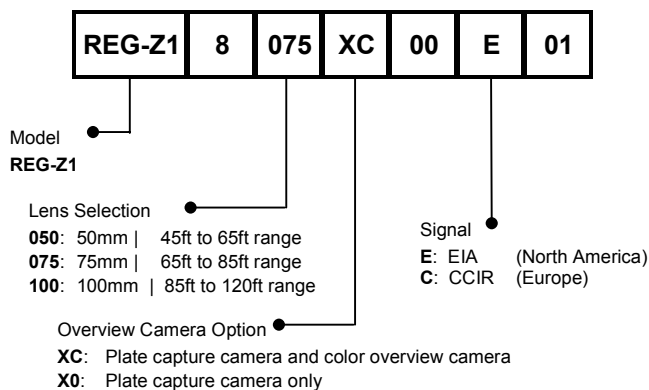
Applications

- Government buildings
- Traffic monitoring
- Critical infrastructure
- Borders
- Parkades
- Tolls
- Airports
- Intelligent transportation systems
- Homeland Security
- Highways
- Travel time analysis
- Private estates
- Law enforcement
- Digital License Plates (DLP)
- Automatic License Plate Recognition (ALPR) applications

Specifications

REG-Z1 License Plate Capture with DHC™ Imaging and Optional Color Overview Camera			
General Specifications			
CCDs	License Plate Capture CCD	Color Overview CCD	
Sensor	1/2" SX800 Interline LXR CCD	1/3" CX600 Interline LXR CCD	
Resolution	600 TVL	480 TVL	
Effective Pixels (NA)	EIA: 811 (H) x 508 (V)	NTSC: 811 (H) x 508 (V)	
Effective Pixels (Europe)	CCIR: 795 (H) x 596 (V)	PAL: 795 (H) x 586 (V)	
S/N Ratio	Greater than 48dB	Greater than 48dB	
Video Output	High-contrast, 1 V p-p @ 75 ohm	1 V p-p @ 75 ohm	
Sensitivity	Zero lux - works in total darkness	0.1 Lux at F1.2	
Lens	Select from below	Varifocal 5-50mm with auto-iris	
Infrared Illumination	850nm		
LEDs	Metaphase-type LEDs, high-efficiency array		
Power Requirements	24V AC or DC		
Power Consumption	30W (1.3A @ 24VAC)		
Color	Black body, white sunshield		
Operating Temperature	-50°C to +50°C -58°F to +122°F		
Environmental	NEMA 4 compliant		
Weight	6.45 kg 14.2 lbs		
Electrical	Junction box included.		
Dimensions	236mm x 224mm x 261mm 9.3" x 8.8" x 10.3"		
Power Supply	Not included. Select from optional accessories		
Lens Selection for License Plate Capture CCD			
Monochrome Lens Options	50mm	75mm	100mm
Horizontal Field of View	7°	4°	3.6°
Operational Range	45-65ft	65-85ft	85-120ft

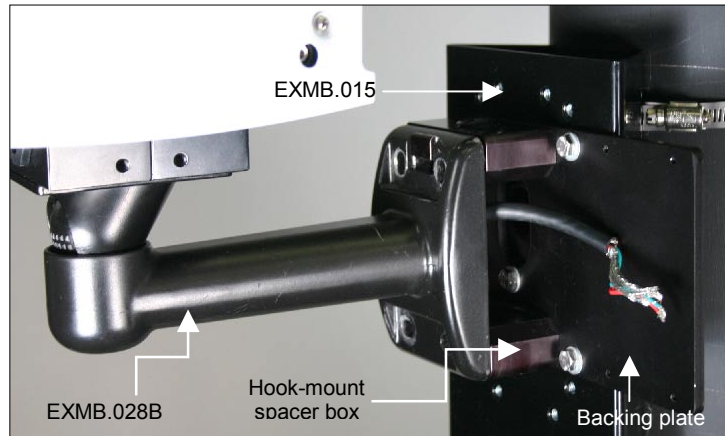
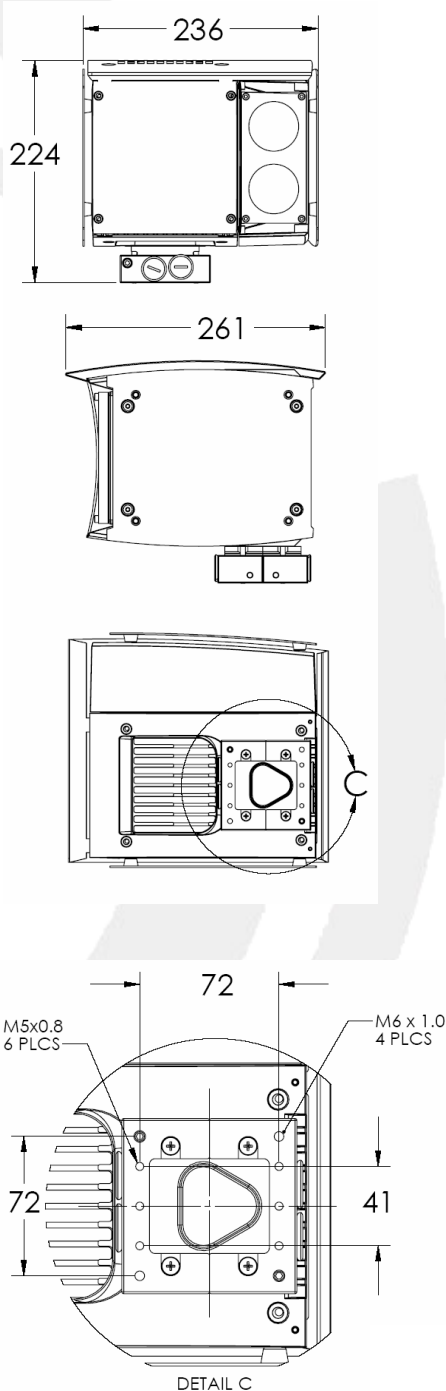
Part Numbers



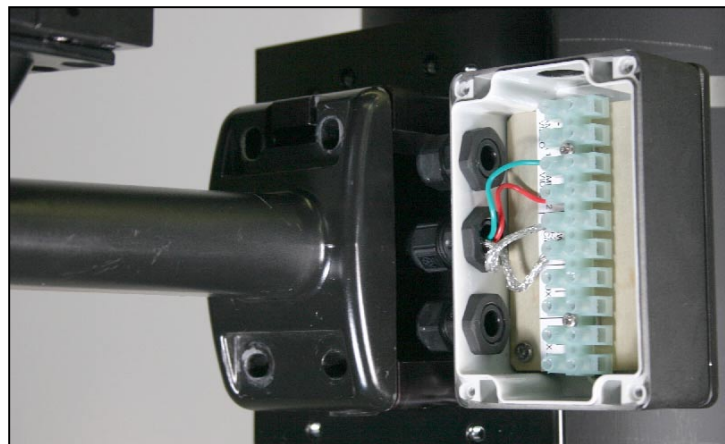
Optional Accessories

REG-PS1	Power supply 120VAC to 12VDC or 24VAC
EXMB.060	Cable managed bracket with hook mount kit
EXMB.028	Cable managed bracket kit
EXMB.015	Pole mount adapter
EXMB.017	Wall mount adapter
EXMB.061	Stainless steel pole top bracket kit

Technical Drawings



Above: EXMB.060B is comprised of the EXMB.028B cable-managed bracket, hook-mount spacer box and backing plate. Notice the hook mount temporarily supports the REG-Z1 on the EXMB.060B without the use of screws, allowing for easier installation. EXMB.060B is shown above mounted on EXMB.015 Pole Mount Adapter.



Above: EXMB.060B connected to junction box. For simpler installation, the junction box is included as a standard component with every REG-Z1 license plate capture camera. The EXMB.060B enables a neat, cable-managed installation onto surface conduit.