

Key Features

- Extreme's proprietary DHC-Imaging™ technology for definitive high-contrast license plate capture
- Cruise and capture up to 30mph (50kph) camera speed
- Mechanically reinforced to ensure resiliency against vibration, shock, wind, bumps and other severe road conditions
- Energy efficient 12VDC operation, powered direct from car battery
- Attaches and detaches effortlessly onto any vehicle via industrial heavy duty suction cup mount (optional accessory)
- Precision engineered optics captures plates from vehicles moving at speeds up to 100mph (160kph)
- Metaphase LEDs deliver powerful infrared illumination for effective license plate capture up to 50ft (15m)
- Advanced ambient rejection technology solves problems related to glare from sunlight, headlights and high-beams
- 600TVL 1/2" LXR CCD for excellent performance under infrared
- 24/7 functionality in day or dark conditions
- Long-life LEDs save time and money by eliminating bulb changes
- High-contrast DHC-Imaging™ allows optimal DVR integration or Automatic License Plate Recognition (ALPR) performance
- DHC-Imaging™ technology delivers images of both conventional plates and Digital License Plates (DLPs)

Product Description

REG-M1 - featuring DHC-Imaging™ - delivers advanced performance license plate capture for mobile surveillance. Representing the third generation of license plate capture solutions from Extreme, REG-M1 incorporates proprietary DHC-Imaging™ to produce high-contrast license plate images characterized by unmatched clarity.

REG-M1 is mechanically reinforced to ensure resiliency against vibration, shock, wind, bumps and other severe road conditions. Utilizing stability-enhancing sub-components, including a fortified internal chassis, the REG-M1 delivers uncompromised performance under even the worst road conditions.

Solid-state Metaphase-LEDs allow for an operational range from 12ft to 50ft. Combined with Extreme's Ambient Rejection technology, REG-M1 provides high-contrast license plate capture across the complete spectrum of ambient lighting conditions from total darkness to direct glare from sunlight or high-beams.

Consisting of a 1/2" LXR CCD, the high speed optical engine within DHC-Imaging™ captures plates from vehicles moving up to 100mph (160kph). REG-M1's breakthrough speed capability now enables effective license plate capture for highway and other high speed applications. Additionally, DHC-Imaging™ has capture capability for not only conventional plates, but also Digital License Plates (DLPs).

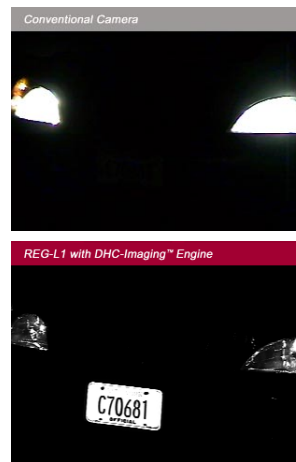
REG-M1 is housed in a weather-sealed unit designed to NEMA4 for application in extreme environments. High-efficiency Metaphase-LEDs eliminate routine bulb changes and consume only 24 watts at 12VDC, allowing REG-M1 to be operated directly from a car battery.

REG-M1 integrates seamlessly with industry standard mobile DVRs and wireless broadband equipment. The DHC-Imaging™ technology is precision engineered to deliver high-contrast images for in intelligent software platforms such as REG-ALERT for Automatic License Plate Recognition (ALPR) applications.

Product Images



REG-M1 delivers definitive high contrast images of license plates from a mobile platform. Shown here with EXMB.031B.



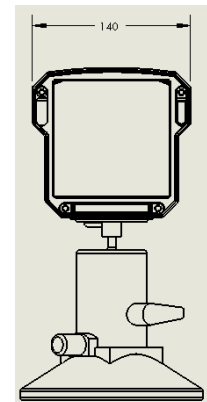
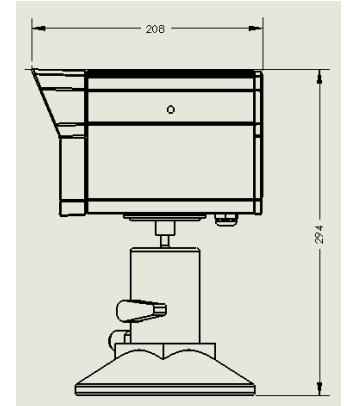
The DHC-Imaging™ technology in REG-M1 captures plates from vehicles moving at up to 100mph under any lighting conditions including highbeam headlight glare.

Applications

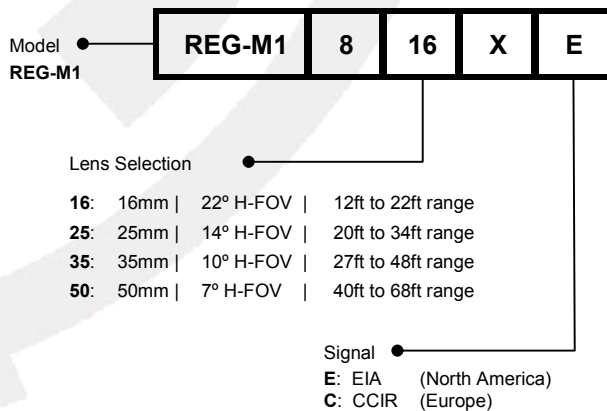
- Parking enforcement
- Law enforcement
- Airports
- Government buildings
- Traffic monitoring
- Borders
- Vehicle surveillance
- Hotels
- Shopping malls
- Highways
- Digital License Plates (DLP)
- Automatic License Plate Recognition (ALPR) applications

Specifications

REG-M1 License Plate Capture with DHC-Imaging™	
General Specifications	
Sensor	1/2" SX800 Interline LXR CCD
Resolution	600 TVL
Effective Pixels	EIA: 811 (H) x 508 (V)
S/N Ratio	Greater than 48dB
Video Output	High-contrast, 1 V p-p @ 75 ohm
Sensitivity	Zero lux - works in total darkness
Infrared Illumination	850nm
LEDs	Metaphase-type LEDs, high-efficiency array
Power Requirements	12/24 VAC (3.0A @ 12VDC)
Power Consumption	Average: 24W (2A @ 12VDC)
Color	Black standard
Construction	Robust cast and extruded aluminum, NEMA 4 design
Operating Temperature	-50°C to 50°C -58°F to 122°F
Mechanical	Mechanically reinforced against shock and vibration
Environmental	Thermally controlled for constant internal temperature
Weight	4.8 kg 10.6 lbs
Dimensions	383mm L x 154mm W x 283mm H 15.1" L x 6.1" W x 11.1" H
Bracketry	Not included - select from optional accessories
Power Supply	Not included - select from optional accessories
Lens Selection	
Lens Options	16mm 25mm 35mm 50mm
Horizontal Field of View	22° 14° 10° 7°
Operational Range	12-22ft 20-34ft 27-48ft 40-68ft



Part Numbers



Optional Accessories

EXMB.031B Vehicle suction mount

Note:

Automatic license plate recognition packages (using intelligent software) are available with REG-M1. Please contact Extreme CCTV for further details.