

5395 (Wiegand)
5398 (Clock-and-Data)

ThinLine II® Reader

Proximity Card Reader from Databac

Application

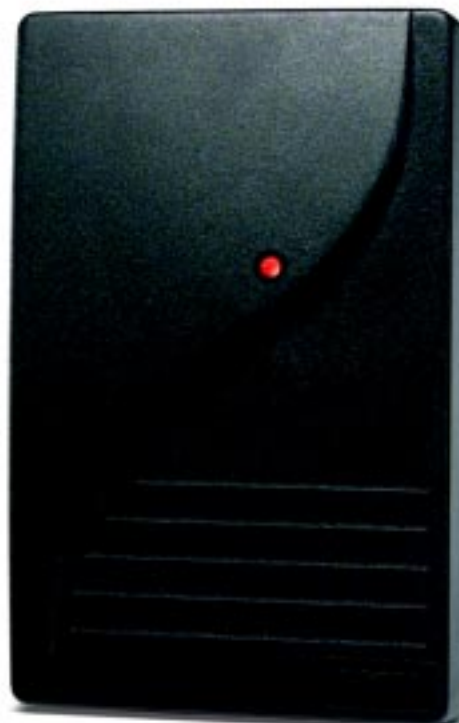
Providing performance and reliability, HID's attractive, unobtrusive ThinLine II proximity card reader is housed in a two-piece, weatherproof potted enclosure.

Features

- Easily installed and maintained with the use of replaceable covers.
- Available with a Wiegand or Clock-and-Data interface.
- Provides high reliability, consistent read range and low power consumption.
- Features include multicolor LED and internal control or host control of the LED and beeper.
- Mounts directly on metal with minimal impact on the read range performance.
- Aesthetic design available in four colors to match any décor.



CLASSIC



Designer

ThinLine II® Reader

Features

Mounting: mounts on a single-gang electrical box for easy installation. Mounts directly on metal with minimal impact on read range performance.

Audiovisual indication: a red LED flashes green and the beeper sounds when reader is presented with a proximity card. The multicolor LED and beeper can also be controlled individually by the host system.

Diagnostics: on reader power-up, an internal self-test routine checks and verifies the setup configuration, determines the internal or external control of the LED and beeper and initializes reader operation. An additional external loop-back test allows for the reader outputs and inputs to be verified without the use of additional test equipment.

Indoor/outdoor design: sealed in a rugged, weatherized polycarbonate enclosure designed to withstand harsh environments, providing reliable performance and a high degree of vandal resistance.

Easily interfaced: Wiegand output model interfaces with all existing Wiegand protocol access control systems. Clock-and-Data (magnetic stripe) model interfaces with most systems that accept magnetic stripe readers.

Security: recognizes card formats up to 85 bits, with over 137 billion unique codes.

Warranty: warranted against defects in materials and workmanship for life from date of shipment (see complete warranty policy for details).

Part numbers:

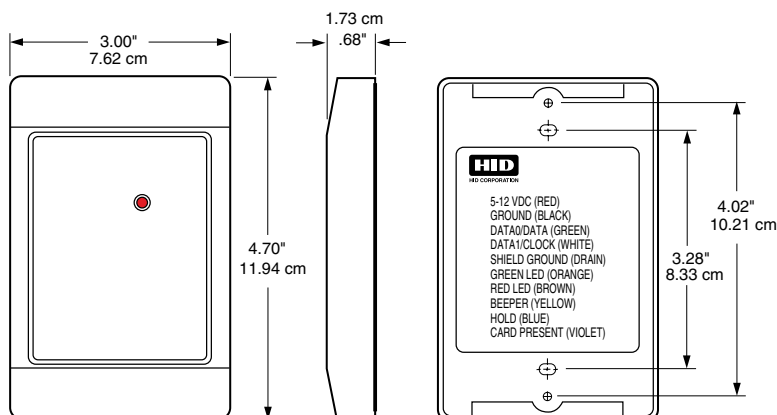
Base Part No.: 5395 Wiegand interface

Base Part No.: 5398 Clock-and-Data interface

Description: Tri-State LED, internal beeper on

Options:

- CLASSIC series cover in white, beige, charcoal gray or black) or
- Designer series cover in white, wave blue, charcoal gray or black)
- LED and beeper operation
(Please see "How to Order Guide" for a description of the options and associated part numbers).



Specifications

Typical maximum* read range:

ProxCard® II card - up to 5.5" (14 cm)

ISOProx® II card - up to 5" (12.5 cm)

DuoProx® II card - up to 5" (12.5 cm)

ProxKey™ II keyfob - up to 2" (5 cm)

ProxCard® Plus card - up to 1.5" (3.7 cm)

Smart ISO/DuoProx™ cards - up to 2.5" (6.2 cm)

Proximity & MIFARE™ card - up to 5" (12.5 cm)

*Depending on local installation conditions.

Dimensions:

4.70" x 3.00" x 0.68"

(11.9 x 7.6 x 1.7 cm)

Material: Polycarbonate UL 94

Power supply:

5-16 VDC

Linear power supplies are recommended.

Current requirements:

Average: 30 mA (5 VDC); 20 mA (12 VDC)

Peak: 110 mA (5 VDC); 115 mA (12 VDC)

Operating temperature:

-22° to 150° F (-30° to 65° C)

Operating humidity:

0-95% relative humidity non-condensing

Weight:

3.3 oz. (94 gm)

Transmit frequency: 125 kHz

Excite frequency: 125 kHz

Certifications:

Canada/UL 294 Listed

FCC Certification, United States

Canada Certification

EU and CB Scheme Electrical Safety (EN60950 and IEC60950 ITE Electrical Safety)

Fifteen EU Countries under the R&TTE Directive (EN 300 330 - SRD, and ETS 300 683 - EMC)

CE Mark

Australia C-Tick

New Zealand

Cable distance:

Wiegand interface: 500 feet (150 m)

Clock-and-data interface: 50 feet (15 m)

Recommended cable is ALPHA 1295 (22 AWG) 5 conductor minimum stranded with overall shield or equivalent. Additional conductors may be required for LED or beeper control.

LIT5395DS 11/01, supersedes 3/01

www.databac.com



Databac Group Limited
Kingston, Surrey, UK. KT2 6HH
Tel. +44 208 546 9826
Fax. +44 208 547 1026
Email: info@databac.com