

KALATEL

KTD-404 Controller Keypad



**Installation and Operation
Instructions**

© 1999, Kalatel, a division of Interlogix, Inc.

ANY KALATEL SOFTWARE SUPPLIED WITH KALATEL PRODUCTS IS PROPRIETARY AND FURNISHED UNDER LICENSE AND MAY ONLY BE USED OR COPIED IN ACCORDANCE WITH THE TERMS OF SUCH LICENSE.

This document and the information disclosed herein contains trade secrets, competitive, sensitive, and/or privileged, confidential and proprietary data of Kalatel, and is being furnished in confidence. Neither this document, nor the information contained herein shall be reproduced, used or disclosed to others without the prior written authorization of Kalatel. All rights reserved.

The CyberDome product and logo are trademarks of Kalatel.

This document is intended to provide accurate information; however, the information contained herein is subject to change without notice. Kalatel, in keeping pace with technological advances, is a company of product innovation. Therefore, it is difficult to ensure that all information provided is entirely accurate and up-to-date. Kalatel accepts no responsibility for any inaccuracies or omissions and specifically disclaims any liabilities, loss, or risk, personal or otherwise, which is incurred as a consequence, directly or indirectly, of the use and/or application of any of the contents of this document.

For technical support before and after installation, call 800-469-1676.

Mail: PMB-225, P.O. Box 3004, Corvallis, OR, USA 97339
Shipping: 728 SW Wake Robin Ave, Corvallis, OR, USA 97333
Phone: (Toll Free) 800-469-1676
(In Oregon) 541-754-9133
Fax: (Office) 541-754-7162
(Sales) 541-752-9097
(Tech Support) 541-752-9096
Web: www.kalatel.com

Kalatel offers 24-hour technical support assistance seven days a week. Please call 1-800-469-1676 during normal business hours: 6 a.m. to 5 p.m. (PST). If calling after hours (between 5 p.m. and 6 a.m. PST) or on weekends, please call 541-740-3589.

Document Number: D0404SG0_B

This product was designed and manufactured in the U.S.A. by Kalatel

Table of Contents

Introduction	5
Controller Keypad Placement	5
Installation	6
KTD-404 & KTD-304R	6
Cable Connections	6
Programming	9
Initial Programming	9
KTD-404 Programming	9
Programming Choices for the KTD-404	9
System Component Programming	15
P/T/Z Receiver Programming	16
Accessing the Receiver Setup Menus	16
Receiver Setup	16
Setting Electronic Auto Pan Limits for Kalatel Domes	19
P/T/Z Receiver Preset Position Programming	19
Operation	21
Key Layouts	21
Key Functions	22
Site Select Keys	22
Pan/Tilt/Zoom Control Keys	22
Video Switcher Control Keys	22
Access Control Keys	22
Special Application Keys	22
Multiplexer Function Keys	23
Keypad Operation	24
Monitor Selection	24
Camera Selection	24
Engaging Auto Focus on CyberDomes	24
Finding a Preset	24
Preset Tours	24
Camera Sequencing	25
Setting Electronic Auto Pan Limits for Kalatel Domes	25
Video Alarms	25
Clearing Alarms	25

Annunciation	26
2-Way Audio	26
Multiplexer Operations	26
Switching to Multiplexer Control Mode	26
Selecting an Active Multiplexer	26
Calling up a Video Input on an Active Multiplexer	26
Switching a Multiplexer to Live Video	27
Placing the Active Multiplexer in the Camera Sequence Mode	27
Viewing VCR Output or Playback	27
Operating Electronic Zoom	27
Selecting Multiple Camera Views on a Multiplexer	27
Appendix A: (Locating the Dip Switch)	29
Appendix B: (Keycap Replacement)	31
Appendix C: (Current Parameters Display)	33
Appendix D: (Warranty and Return Information)	35

Introduction

This manual covers installation and operation instructions for a KTD-404 series keypad.

NOTE: This product was originally called the KTD-304. It has been updated to the KTD-404; although the look of the KTD-404 has been modified, the functionality of both versions remains the same. All instructions in this manual referring to the KTD-404 are also applicable to the KTD-304 version.

Designed for use in a DIGIPLEX™ system, the KTD-404 can address and control 512 Pan/Tilt/Zoom receiver sites, operate a matrix switcher with 64 monitor outputs, and address and select views from as many as 64 multiplexers. The KTD-404 series is also available with an audio option (designated KTD-404A) or rack-mounted (KTD-304RA) in which the keypad contains a 2.5 watt audio amplifier for 2-way voice communication. To operate and control multiplexers, a KTD-93 is required to interface with each device in a Digiplex system.

Controller Keypad Placement

A DIGIPLEX system's RS422 control signal originates from the controller keypad located at the head end of the system, and travels "down line" via twisted pair cable. When more than one controller keypad is used, the signal must loop through each keypad or be merged using KTD-312 Signal Mergers before being routed to the rest of the components in the system. Figures 1-4 show typical system configurations.

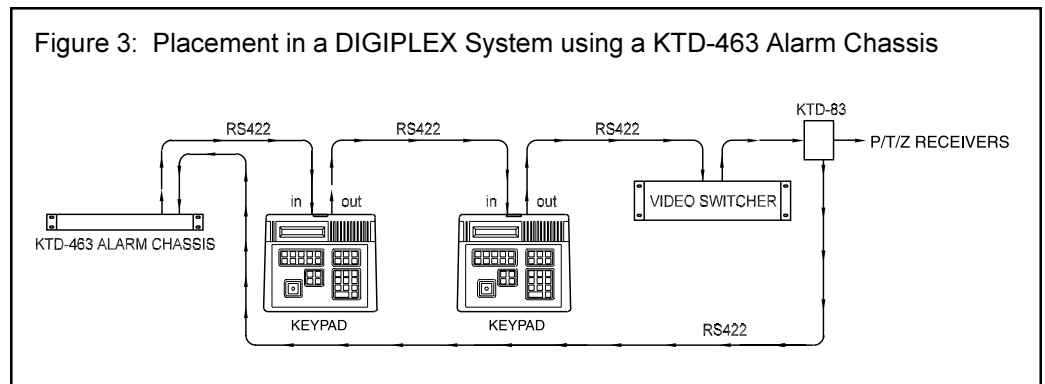
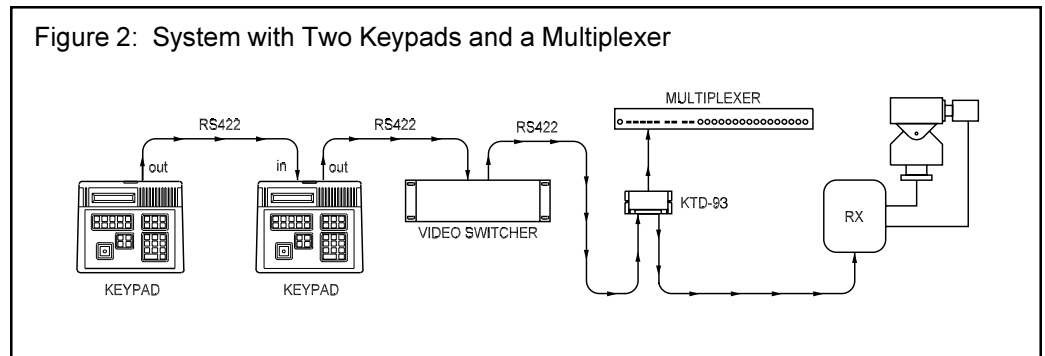
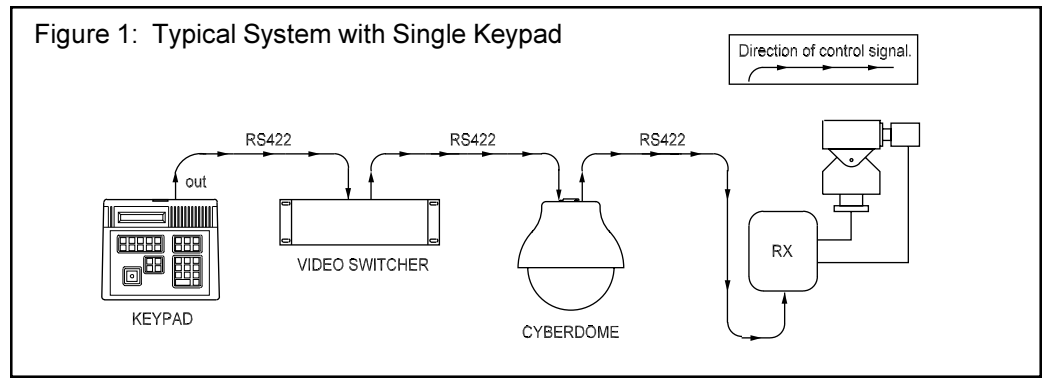
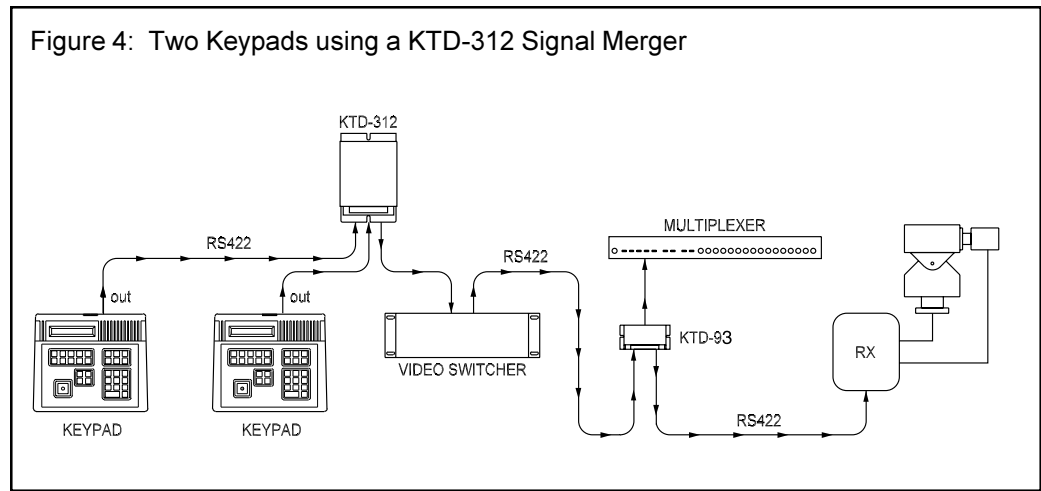


Figure 4: Two Keypads using a KTD-312 Signal Merger



Installation

Installation of the KTD-404 series keypad involves mounting the unit (KTD-304R only), and making cable connections.

CAUTION:



Do **NOT** connect power to the unit until all installation steps are completed.
Do **NOT** connect directly to a telecommunication network.

Cable Connections

KTD-404 (KTD-404A)

The KTD-404 Controller Keypad is designed for desktop use, and is provided with a 6-foot cable that connects to a modular phone box. All external connections are made in the phone box, as shown in Figure 5. If the audio option was selected, use Figure 6.

KTD-304R (KTD-304RA)

The KTD-304R Controller Keypad is designed for rack-mount installation. All cable connections are made to the removable terminal strip located on the rear of the unit, as illustrated in Figure 7.

NOTE:



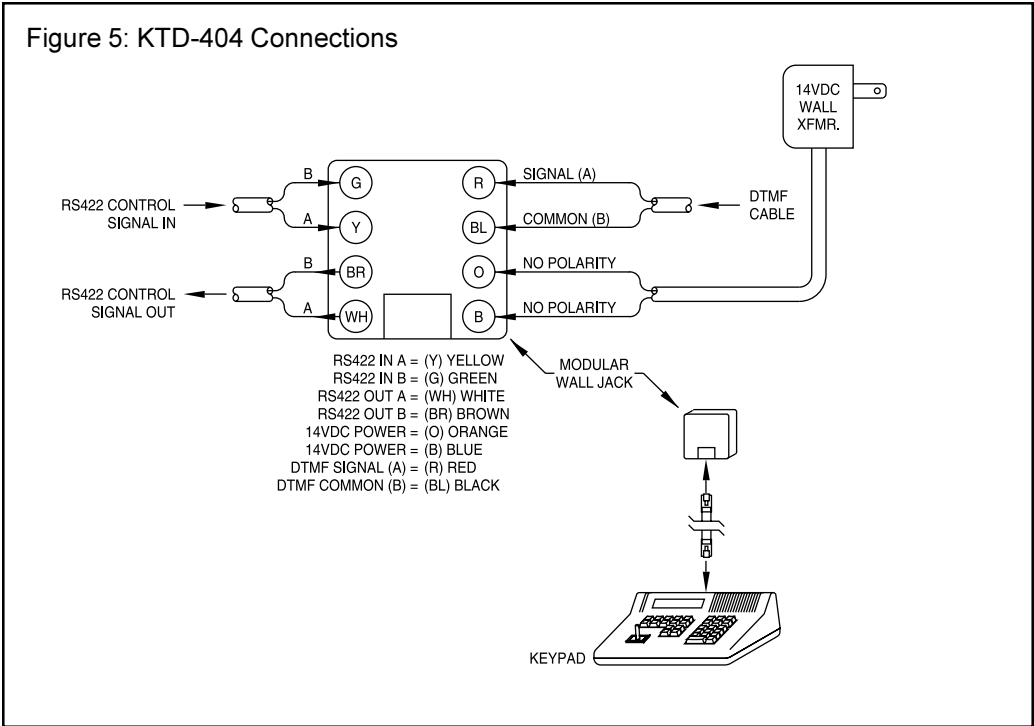
The following illustrations give connection points for an RS422 input cable and an RS422 output cable. Do not confuse the two. The input is only used if other keypads, alarm chassis, or time/date generators are located ahead of the KTD-404 being wired.

NOTE:

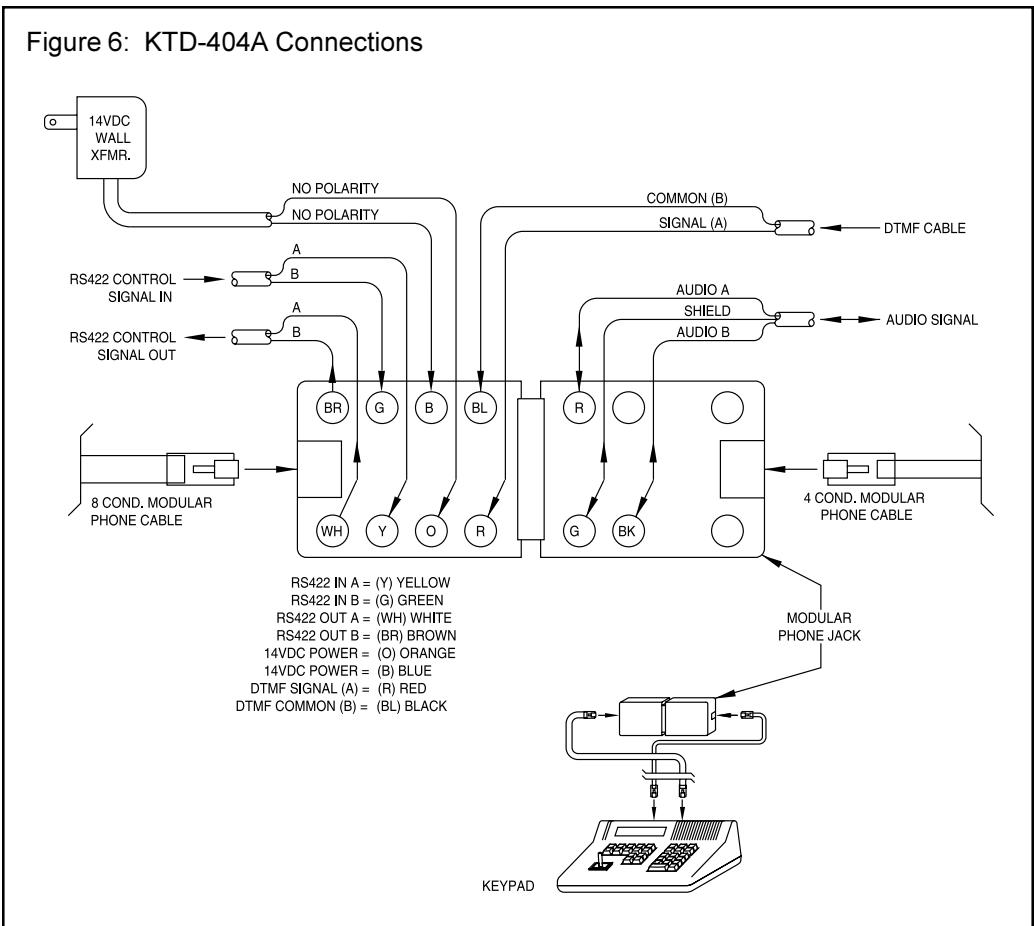


DTMF cable is used for call-in requests from auxiliary door and gate receivers. This input is only used in installations using DTMF call-in for keypad annunciation.

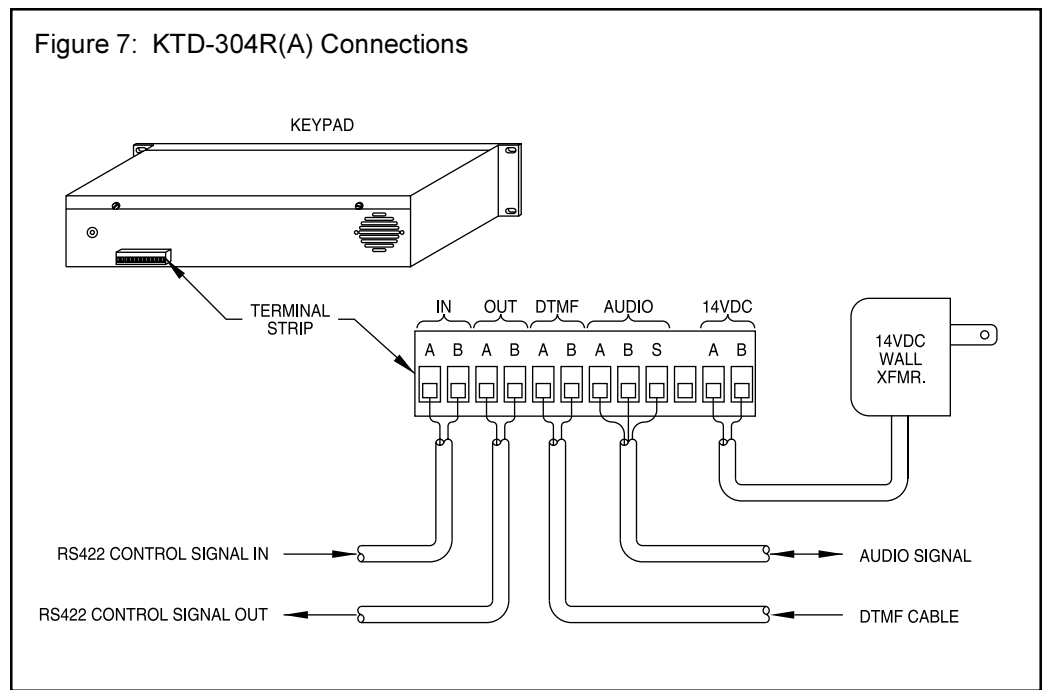
KTD-404



KTD-404A



KTD-304R(A)



Powering Up

After all the connections are made, the KTD-304(R) is ready for operation. Plug the 14VDC wall transformer into a power outlet. The LCD window will briefly display the Kalatel name along with keypad information, then it will enter the operating mode.