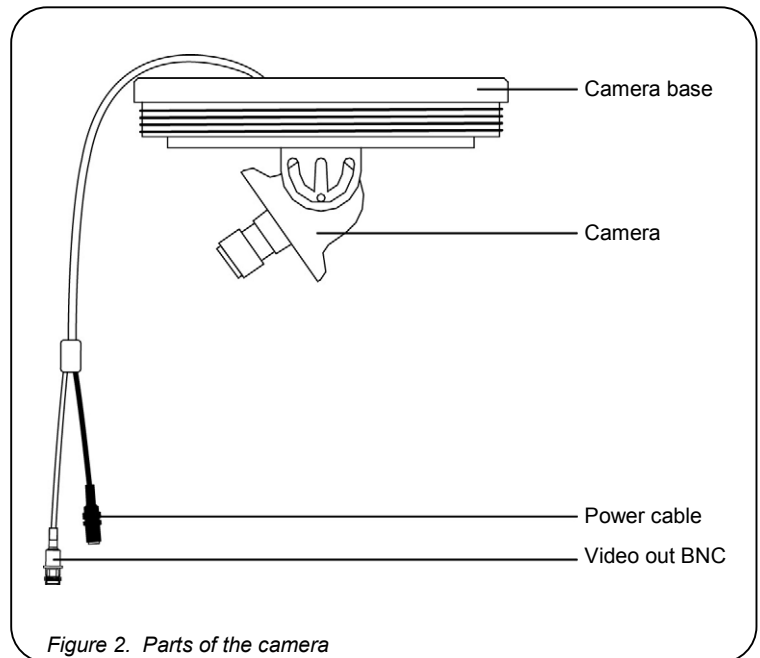
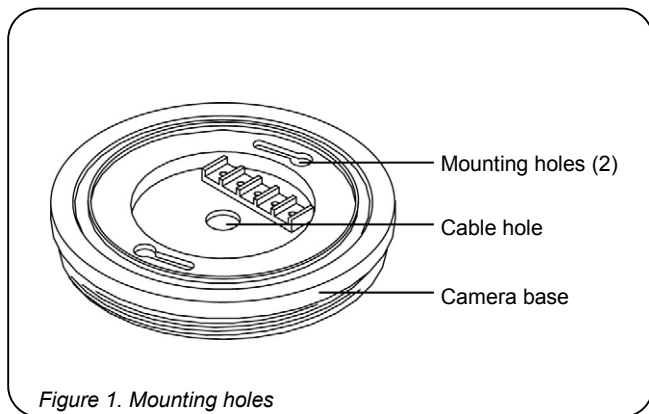


## CEILING MOUNTING

- 1) Position the unit on the mounting surface so that the lens points toward the area you want to view.
- 2) Mark the position of the mounting holes and cable hole (see Figure 1).
- 3) Screw the provided #6x1-inch screws halfway into the mounting surface.
- 4) Cut a hole in the mounting surface to accommodate the camera cables.
- 5) Attach the camera's video out BNC connector (see Figure 2) to the receiving device's video in BNC connector.
- 6) Attach the camera's power cable (see Figure 2) to your power source.
- 7) Feed the cables through the hole.
- 8) Place the mounting holes over the screws and turn the unit clockwise.
- 9) Tighten the mounting screws until snug.



## BRACKET MOUNTING

- 1) Place the wall-mount bracket against the mounting surface.
- 2) Mark the position of the mounting holes (see Figure 3).

**Note:** The bracket will lower approximately 0.5 inch (1.25 cm) when resting on the mounting screws.

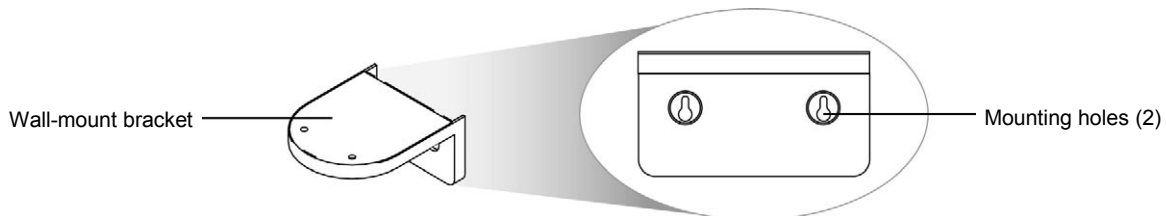



Figure 3. Mounting holes of the wall-mount bracket

- 3) Screw the provided #6x1-inch screws halfway into the mounting surface.
- 4) With a screwdriver, remove the top of the wall-mount bracket (see Figure 4).
- 5) On the underside of the wall-mount bracket, screw the two provided 3.5x10 mm (brass) screws halfway into the holes that correspond with your camera (see Figure 4).
- 6) Attach the camera's video out and power cables as shown in Figure 2. See steps 5 and 6 in *Ceiling Mounting*.
- 7) From the underside of the wall-mount bracket, feed the camera cables through the cable hole (see Figure 4).
- 8) Place the mounting holes of the camera base over the screws in the wall-mount bracket.
- 9) Turn the camera base clockwise.
- 10) Tighten the screws until snug.
- 11) Run the camera cables through one of the rectangular openings in the back of the wall-mount bracket.
- 12) Replace the top of the wall-mount bracket, and secure it with the provided 3x8 mm (brass) screws.
- 13) Place the wall-mount bracket mounting holes over the screws in the mounting surface.
- 14) Lower the wall-mount bracket so that it rests on the mounting screws. 

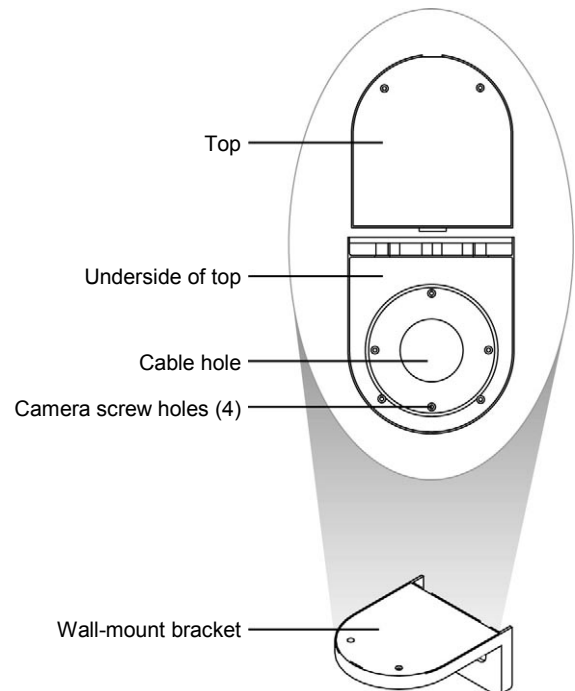


Figure 4. Top of wall-mount bracket