

# 17" Black and White Monitor



The M1710 is a 17" black and white monitor that provides crisp, high resolution images for a variety of CCTV applications. Its high resolution and large format make it perfect for viewing demanding multiplexer and quad displays.

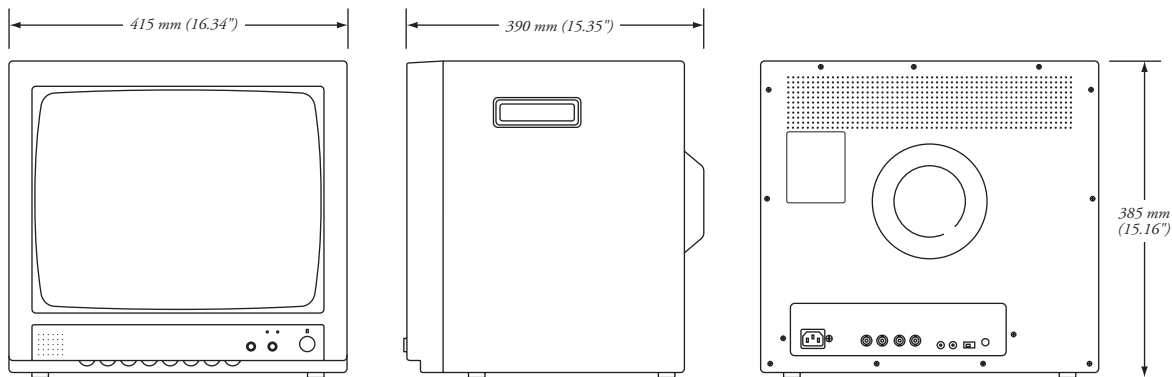
Easy to use with convenient up-front controls that include, under/over scan, sharpness, V-size and H-size controls.

Other features include 2 video input channels A/B selectable, DC restoration ON/OFF, audio input and auto termination BNC connectors.

## Features

- Rugged, attractively styled cabinet
- Convenient up-front controls
- Sharpness, V-Size, H-Size control front
- 900 lines resolution (center)
- Automatic scan system selectable (EIA/CCIR)
- Under/Over scan switchable on front
- 2 channel input - A/B Channel selectable
- DC restoration ON/OFF selector on rear
- Audio input
- Auto termination BNC connector
- Built-in carrying handles
- Rack mountable (optional)
- 1 year warranty

**Technical Specifications**



**PICTURE TUBE** . . . . .17" Diagonal, 29mm neck, 114" Deflection Angle (16.1" use full screen size)  
**POWER SOURCE** . . . . .AC 90V - 132V 50/60Hz  
**POWER CONSUMPTION** . . . . .40 Watts  
**SCAN SYSTEM** . . . . .EIA/CCIR Standard (Automatic selectable)  
**RESOLUTION** . . . . .More than 900 TV lines (center)  
**VIDEO IN/OUTPUT** . . . . .EIA/CCIR composite Video 1.0Vp-p (75 ohm)  
**AUDIO IN/OUTPUT** . . . . .300mVrms 1Watt  
**FRONT PANEL CONTROLS** . . H/V size and H/V hold, brightness, contrast, sharpness, volume, scan (over/under) switch, video A/B selector switch, power switch  
**OPERATING TEMPERATURE** . .0" ~ 40" C (Performance Range) (32" ~ 104" F)  
**AMBIENT HUMIDITY** . . . . .0% ~ 90%

**SCANNING FREQUENCY**  
 HORIZONTAL . . . . .EIA: 15.73KHz  
                   CCIR: 15.625KHz  
 VERTICAL . . . . .EIA: 59.94Hz  
                   CCIR: 50Hz  
**LINEARITY** . . . . .Horizontal:10%  
                   Vertical: 10%  
**ACTIVE DISPLAY AREA** . . .10% Overscanning  
                   6% Underscanning  
**CONNECTOR**  
 VIDEO . . . . .BNC Connector x 4, Auto Termination  
 AUDIO . . . . .RCA Phone Connector x 2  
**WEIGHT** . . . . .17.7kg (39.02 lbs)

**Related Components**

**Optional Rack Mount**

FR-M1710 . . . . .rack mount

**Cameras**

NL2332 . . . . .1/3", B&W, 24VAC, 380TVL  
 NLM4700 . . . . .1/3", B&W, 24VAC, 570TVL  
 NLMD165 . . . . .1/3", B&W, mini-dome, 380TVL  
 MICROCAM . . . . .1/3", B&W, 3.6mm micro lens, 12VDC, 380TVL  
 PINHOLE-FLAT LENS . . .1/3", B&W, 3.7mm pinhole, flat lens, 9VDC,380TVL  
 PINHOLE-CONICAL LENS .1/3", B&W, 3.7mm pinhole, conical lens, 9VDC, 380TVL

NLMV4F & . . . . .B&W, vandal resistant dome  
 NLMV4S  
 NLMV-CW & . . . . .B&W, vandal resistant wedge  
 NLMV-SW

**Switchers and Quads**

NLS4LA . . . . .4 camera sequential switcher  
 NLMQ4 . . . . .4 camera B&W real-time quad

*Ask About Our Complete Line of CCTV Products*



www.nationalcctv.ca

Distributed by:

All specifications subject to change without notice. Information furnished is believed to be accurate and reliable. However, no responsibility or liability is assumed by its use, nor for any infringement of patents or other rights of third parties which may