

9" & 12" Black & White Monitor



The M910 and M1210 is a 9" and 12" black and white monitor that provides crisp, high resolution images for a variety of CCTV applications. Easy to use with convenient up-front controls and high resolution images makes these monitors ideal for viewing cameras, video preview and VCR playback. Their compact size also makes them ideal for security installations with minimal space or can be rack mounted with the optional rack mount kit.

Other features include auto terminating BNC connectors and a metal cabinet for rugged reliability.

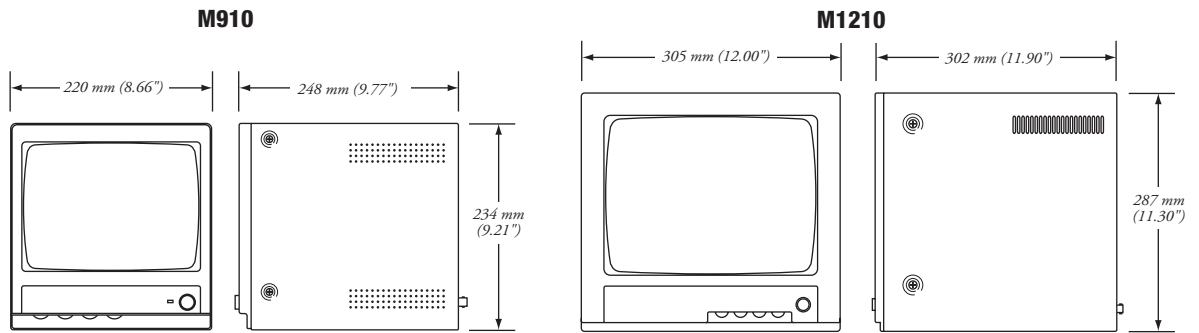
Features

- *Front panel controls*
- *800 TV lines*
- *Auto terminating BNC*
- *Looping video input/output*
- *Rack mountable (optional)*
- *1 year warranty*

**M910
M1210**

Black & White Monitor

Technical Specifications



M910 9" B&W Monitor

M1210 12" B&W Monitor

PICTURE TUBE (USEFUL SCREEN SIZE) . . .9" Diagonal, 90° Deflection Angle (8.7")	. . .12" Diagonal, 90° Deflection Angle (11.6")
POWER SOURCEAC 90 - 132V 50 Hz/60HzAC 90 - 132V 50 Hz/60Hz
POWER CONSUMPTION18 watts18 watts
SYSTEMEIA or CCIR standardEIA or CCIR standard
RESOLUTIONMore than 800 TV lines (center)More than 800 TV lines (center)
INPUT SIGNAL1.0Vp-p (75ohm)1.0Vp-p (75ohm)
SCANNING FREQUENCY	
Horizontal:60 Hz: 15.734KHz (50Hz: 15.625KHz)60 Hz: 15.734KHz (50Hz: 15.625KHz)
Vertical:59.94Hz (50Hz)59.94Hz (50Hz)
LINEARITY	
Horizontal:10% Max.10% Max.
Vertical:10% Max.10% Max.
ACTIVE DISPLAY AREA	
Horizontal:10% overscanning10% overscanning
Vertical:13% overscanning13% overscanning
CONTROL	
Front:H-hold, V-hold, bright contrast, power S/WH-hold, V-hold, bright contrast, power S/W
Back:V-linearity, V-height, EIA/CCIR selector S/WV-linearity, V-height, EIA/CCIR selector S/W
INPUT CONNECTOR (CAMERA)BNC connectorBNC connector
OPERATING TEMPERATURE0°C ~ 40°C (32°F ~ 104°F)0°C ~ 40°C (32°F ~ 104°F)
AMBIENT HUMIDITY0% ~ 90%0% ~ 90%
WEIGHT4.3kg (9.48 lbs)7.3kg (16.09 lbs)

Related Components

B&W Cameras

- NL23321/3", B&W, 24VAC, 380TVL
- NLM47001/3", B&W, 24VAC, 570TVL
- NLMD1651/3", B&W, mini-dome, 380TVL
- NLMV4F & NLMV4S2.8 mm, 3.6 mm, 8 mm, B&W, vandal resistant dome
- NLMV-CW & NLMV-SW2.8 mm, 3.6 mm, 8 mm, B&W, vandal resistant wedge
- MICROCAM1/3", B&W, 3.6mm micro lens, 12VDC, 380TVL
- PINHOLE-CONICAL LENS1/3", B&W, 3.7mm pinhole, conical lens, 9VDC, 380TVL
- PINHOLE-FLAT LENS1/3", B&W, 3.7mm pinhole, flat lens, 9VDC, 380TVL

Switchers and Quads

- NLS4LA4 camera sequential switcher
- NLMQ44 camera B&W real-time quad

Optional Rack Mount Kits

- FR-M910for 9" monitor
- FR-M910/2for dual 9" monitors
- FR-M1210for 12" monitor

Ask About Our Complete Line of CCTV Products



www.nationalcctv.ca

Distributed by:

All specifications subject to change without notice. Information furnished is believed to be accurate and reliable. However, no responsibility or liability is assumed by its use, nor for any infringement of patents or other rights of third parties which may