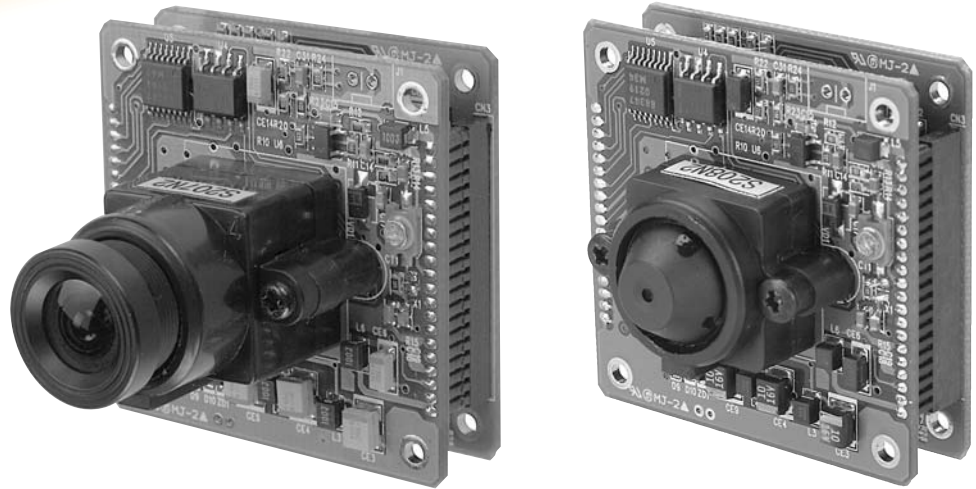


1/3" Colour Board Camera



**National
Electronics**

These colour board cameras use a high quality 1/3" CCD chip that offers a horizontal resolution of 380 TV lines.

Their compact size and low light sensitivity of 1.0 lux makes them ideal for a variety of covert security type applications. These cameras use the latest in surface mount technology for added reliability and picture performance. Ease of installation is available by choosing either the 3.6mm macro lens or the 3.7mm conical pinhole lens.

Features

- *Excellent picture quality*
- *Reliability - with the use of high quality parts and durable CCD, long, trouble-free operation of the camera is assured.*
- *Super compact - without loss in picture quality*
- *High quality PCB with the new high tech surface mounting technology insures resistance from shock as well as vibration.*
- *Easily mounted to any type of casing.*
- *Interchangeable lenses available.*
- *1 year warranty.*

**MICROCOLOUR
PINHOLECOLOUR**

1/3" Colour Board Camera

Technical Specifications

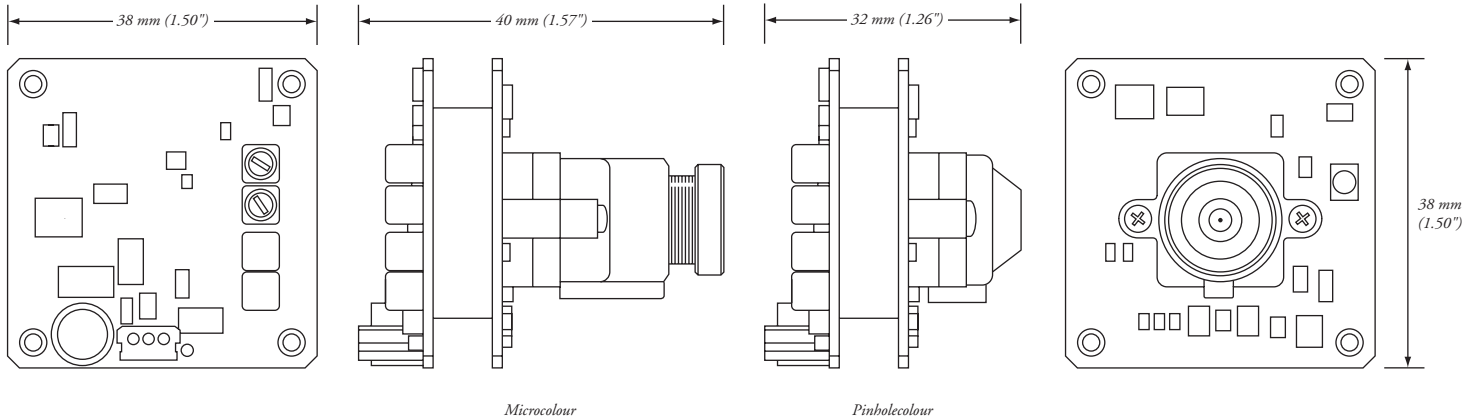


IMAGE DEVICE 1/3" Interline Transfer

POWER REQUIREMENT 12 VDC – 20%

POWER CONSUMPTION 180 mA

VIDEO OUTPUT 1.0 Vp-p 75 ohms

RESOLUTION Horizontal 380 TV lines

MINIMUM ILLUMINATION 1.0 lux (regular lens F2.0)

SYNCHRONIZATION Internal

MICROCOLOUR LENS 3.6 mm micro with electrical shutter, max 1/100,000 sec

PINHOLECOLOUR LENS 3.7 mm conical pinhole with electrical shutter, max 1/100,000 sec

OPERATING TEMPERATURE . . . -20 to 60 C
(4 to 140 F)

OPERATING HUMIDITY RH 85% max

SIGNAL TO NOISE More than 46 dB

WEIGHT 28.5g (0.06 lbs)

VIDEO CONNECTOR BNC Female

POWER CONNECTOR Barrel type, Male

Related Components

Switchers

NLS4LA 4 camera sequential switcher

High Performance Monitors

NL209 10" colour

NL214C 14" colour

NL221 21" colour

NE-LCD15 15" LCD

NE-LCD17 17" LCD

NE-LCD20 20" LCD

Optional Lenses (Microcolour)

BL 2.97 2.97 mm Micro

BL 6.0 6.0 mm Micro

BL 8.0 8.0 mm Micro

BL 12.0 12.0 mm Micro

Optional Lenses (Pinholecolour)

PL 2.8 2.8 mm Pinhole Flat

PL 5.5 5.5 mm Pinhole Flat

Ask About Our Complete Line of CCTV Products



www.nationalcctv.ca

Distributed by:

All specifications subject to change without notice. Information furnished is believed to be accurate and reliable. However, no responsibility or liability is assumed by its use, nor for any infringement of patents or other rights of third parties which may result from its use.

Printed in Canada