

# 14" Color Monitor



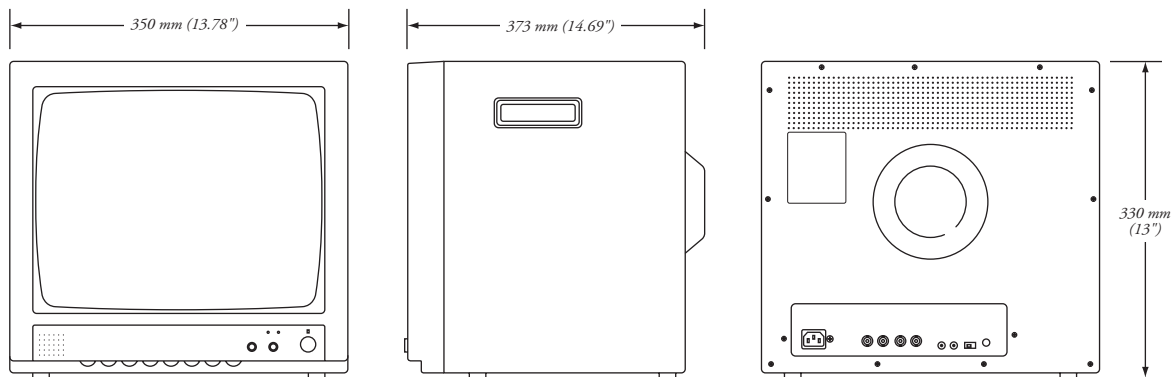
The NL-CM314 is a high performance 14" colour video monitor that is ideal for video surveillance and security applications. The 400 TV lines of resolution and large format makes this monitor ideal for use with colour quads and multiplexers. This monitor offers added flexibility with features like 2 video, 1 S-video inputs, 2 audio inputs, built-in speaker and will support either NTSC or PAL formats.

Easy to use with convenient up-front controls to access the on screen display menus for setup and adjustment of monitor parameters in six different languages. This monitor is housed in a rugged metal cabinet for desk top application or can be rack mounted with the optional rack mount kit.

## Features

- *High resolution picture tube*
- *2 video and 2 audio inputs*
- *1 S-video input*
- *Built-in speaker*
- *On-screen display for adjustments of monitor parameters*
- *Multilingual set-up menus*
- *Auto terminating connectors*
- *Supports NTSC or PAL formats*
- *Zoom, under/over scan*
- *Rugged, attractively styled metal cabinet*
- *Rack mountable (optional)*
- *1 year warranty*

**Technical Specifications**



- PICTURE TUBE** . . . . . 14" CRT, Phosphor: P22, Stripe Pitch: In-line, 0.66mm stripe, Deflection: 90° angle
- RESOLUTION** . . . . . More than 400 TV lines (average)
- SCAN SYSTEM** . . . . . NTSC/PAL Automatic selectable
- SCANNING FREQUENCY**
  - HORIZONTAL . . . . . NTSC: 15.75KHz, PAL: 15.625KHz
  - VERTICAL . . . . . NTSC: 60Hz, PAL: 50Hz
- VIDEO IN/OUTPUT** . . . . . NTSC/PAL composite Video 1.0Vp-p (75 ohm)
- AUDIO IN/OUTPUT** . . . . . 300mVrms / 2Watt
- ACTIVE DISPLAY AREA** . . . . . 7% Overscan, 3% Underscan, 20% Overscan (zoom)
- LINEARITY** . . . . . Horizontal:10% max, Vertical: 10% max
- CONNECTOR**
  - VIDEO A/B In/Out . . . . . BNC Connector x 4, Auto Termination
  - Y/C: S-VHS . . . . . Y signal = 1 V<sub>pp</sub>, C signal = 0.285 V<sub>pp</sub>, 75 ohm / HI-Z terminating
  - AUDIO In/Out . . . . . RCA Phone Connector x 2
- WEIGHT** . . . . . 13.5kg (29.76 lbs)
- DIMENSIONS** . . . . . 350 x 330 x 373.5mm (13.8" x 13.0" x 14.7")
- POWER REQUIREMENT** . . . . . AC 100V ~ 240V, 50/60Hz, 1.2A (universal power)
- POWER CONSUMPTION** . . . . . 70 Watts
- AMBIENT TEMPERATURE** . . . . . 0° ~ 40° C (32° ~ 104° F)

*Ask About Our Complete Line of CCTV Products*



**National  
Electronics**

www.nationalcctv.ca

Distributed by:

All specifications subject to change without notice. Information furnished is believed to be accurate and reliable. However, no responsibility or liability is assumed by its use, nor for any infringement of patents or other rights of third parties which may result from its use.