

10" High Performance Colour Monitor



The NL209 is a 10" colour monitor that provides crisp, high resolution colour images.

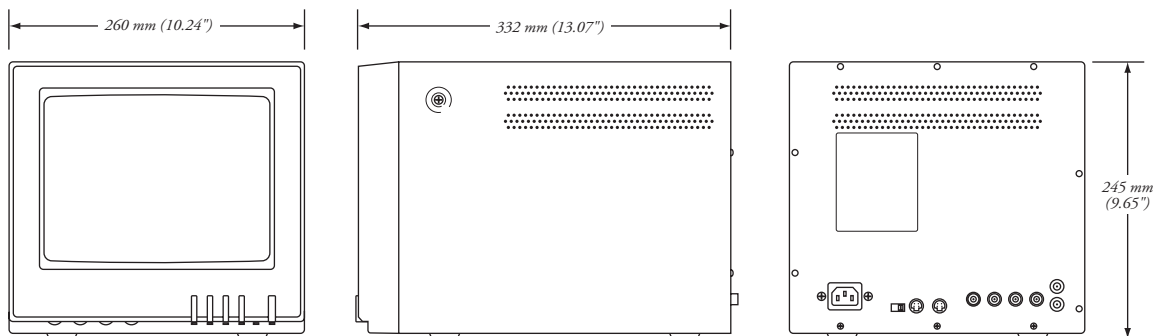
This monitor can be used in a wide variety of CCTV surveillance applications with features like two video, one S-video and audio inputs.

Easy to use with convenient up-front controls and high resolution images makes this monitor ideal for viewing cameras, video preview and VCR playback. The compact size also makes it ideal for security installations with minimal space or can be rack mounted with the optional rack mount kit.

Features

- *300 Lines of resolution*
- *Excellent picture quality*
- *Front panel controls*
- *Attractively-styled cabinet*
- *Implosion protected CRT*
- *Two video inputs (A&B switchable) and one Y/C input*
- *Audio input*
- *Rack mountable (optional)*
- *1 year warranty*

Technical Specifications



- PICTURE TUBE**10-inch diagonal, colour, implosion-protected
- HORIZONTAL RESOLUTION** . . .300 lines at centre
- INPUT IMPEDANCE**75 Ohms or high impedance (switchable)
- SIGNAL FORMAT**NTSC 1.0 Vp-p, 75 ohms, negative sync
- SIGNAL FORMAT Y/C**1.0 Vp-p (Y), 0.3 VP-p (C), 75 ohms (Y/C)
- AUDIO INPUT**Line level with looping RCA jacks (monaural)
- CONNECTOR TYPE**Four BNC connectors: 2 video in/2 video out. Two Y/C connectors: 1 video in/1 video out
- CONTROLS FRONT PANEL** . . .Volume, contrast, brightness, colour, tint, power, Y/C switch, A/B switch
- AMBIENT TEMPERATURE**0 - 40 C
- POWER CONSUMPTION**55 watts
- INPUT VOLTAGE**110VAC 60Hz
- WEIGHT**12 kg

Related Components

Cameras

- NLC55001/3" colour DSP, 24VAC, 330 TVL
- NLC57001/3" colour DSP, 24VAC, 470 TVL
- NLDC1701/4" colour mini-dome, 380TVL
- MICROCOLOUR3.6mm, colour board camera, 330TVL
- PINHOLE COLOUR3.7mm, colour pinhole camera, 330TVL
- NLCV4F & NLCV4Scolour, vandal resistant dome
- NLCV-CW & NLCV-SWcolour, vandal resistant wedge

Optional Rack Mount Kit

- FR-NL209rack mount

Switchers

- NLS4LA4 camera sequential switcher

Ask About Our Complete Line of CCTV Products



www.nationalcctv.ca

Distributed by:

All specifications subject to change without notice. Information furnished is believed to be accurate and reliable. However, no responsibility or liability is assumed by its use, nor for any infringement of patents or other rights of third parties which may