

Color CCTV Cameras Operating Instructions

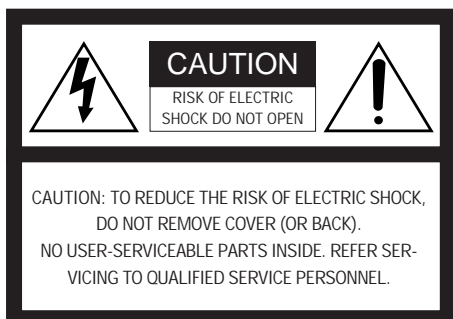
Model No. **WV-CW474F**
WV-CW474S

Before attempting to connect or operate this product,
please read these instructions carefully and save this manual for future use.

N1101-1121 V8QA5931BN

Printed in Japan
N 19

For U.S.A.



SA 1965

The lightning flash with arrow-head symbol, within an equilateral triangle, is intended to alert the user to the presence of uninsulated "dangerous voltage" within the product's enclosure that may be of sufficient magnitude to constitute a risk of electric shock to persons.



SA 1966

The exclamation point within an equilateral triangle is intended to alert the user to the presence of important operating and maintenance (servicing) instructions in the literature accompanying the appliance.

NOTE: This equipment has been tested and found to comply with the limits for a Class A digital device, pursuant to Part 15 of the FCC Rules. These limits are designed to provide reasonable protection against harmful interference when the equipment is operated in a commercial environment. This equipment generates, uses, and can radiate radio frequency energy and, if not installed and used in accordance with the instruction manual, may cause harmful interference to radio communications. Operation of this equipment in a residential area is likely to cause harmful interference in which case the user will be required to correct the interference at his own expense.

FCC Caution: To assure continued compliance, (example - use only shielded interface cables when connecting to computer or peripheral devices). Any changes or modifications not expressly approved by the party responsible for compliance could void the user's authority to operate this equipment.

The serial number of this product may be found on the top of the unit.

You should note the serial number of this unit in the space provided and retain this instruction as a permanent record of your purchase to aid identification in the event of theft.

Model No. _____

Serial No. _____

WARNING:

To reduce the risk of fire or electric shock, do not expose this appliance to rain or moisture.

PREFACE

Panasonic's WV-CW474F/CW474S series color digital camera introduces a new level of high picture quality and high resolution through the use of a 1/3-inch interline transfer CCD image sensor having 768 horizontal pixels (picture elements), and digital signal processing LSIs. This model offers cutting-edge technology for advanced video surveillance.

PRECAUTIONS

1. Do not attempt to disassemble the camera.

To prevent electric shock, do not remove screws or covers.

There are no user-serviceable parts inside. Ask qualified service personnel for servicing.

2. Handle the camera with care.

Do not abuse the camera. Avoid striking, shaking, etc. The camera could be damaged by improper handling or storage.

3. Do not expose the camera to rain or moisture, not try to operate it in wet areas.

If the camera becomes wet, turn the power off immediately and ask qualified service personnel for servicing. Moisture may damage the camera and also cause electric shock.

4. Do not use strong or abrasive detergents when cleaning the camera body.

Use a dry cloth to clean the camera when dirty. When the dirt is hard to remove, use a mild detergent and wipe gently. Then wipe off the remaining detergent with a dry cloth.

5. Clean the CCD faceplate with care.

Do not clean the CCD with strong or abrasive detergents. Use lens tissue or a cotton tipped applicator and ethanol.

6. Never face the camera towards the sun.

Do not aim the camera at bright objects. Whether the camera is in use or not, never aim it at the sun or other extremely bright objects. Otherwise, blooming or smear may be caused.

7. Do not operate the camera beyond the specified temperature, humidity or power source ratings.

Use the camera at temperatures within -10°C to $+50^{\circ}\text{C}$ (14°F - 122°F), and humidity below 90 %. The input power source is 24 V AC.

8. Turn the circuit breaker off which supplies the camera with the power when abnormal conditions are encountered.

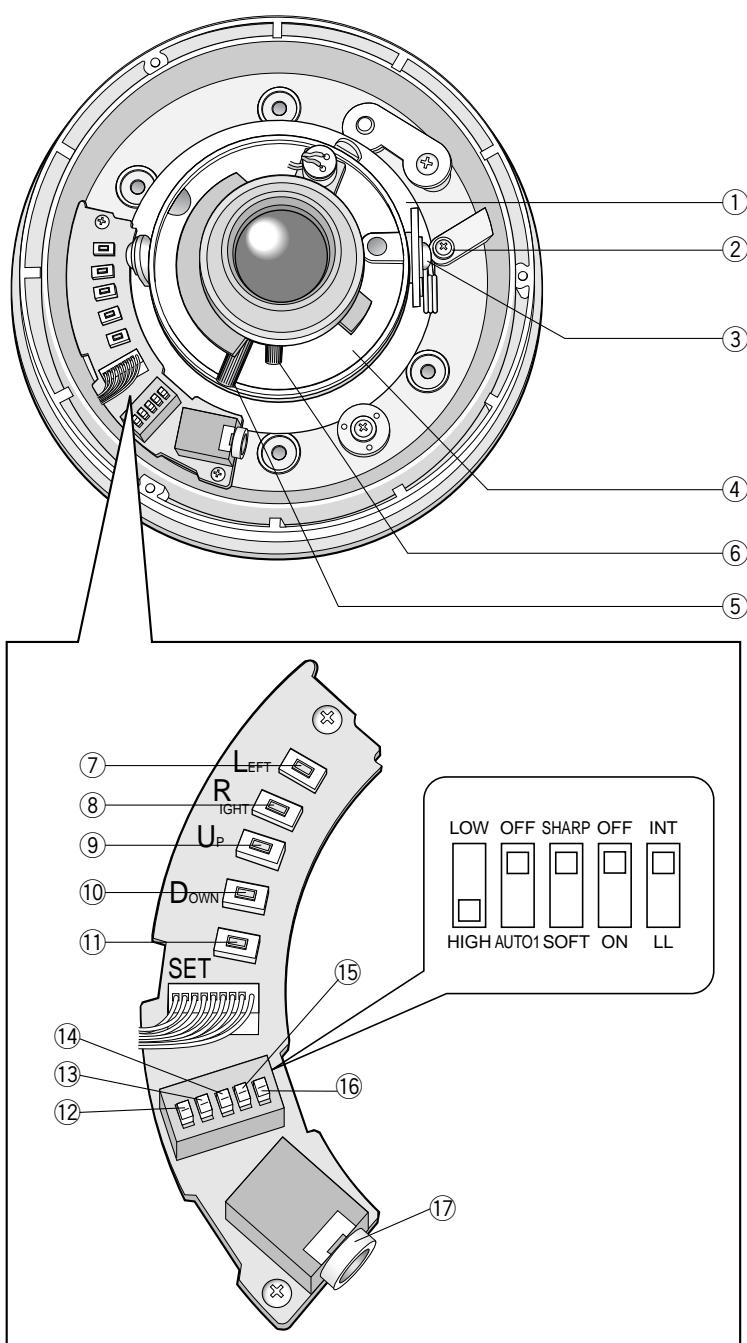
Caution:

To prevent fire or electric shock hazard, use a UL listed cable (VW-1, style 1007) for the 24 V AC Input Cable.

FEATURES

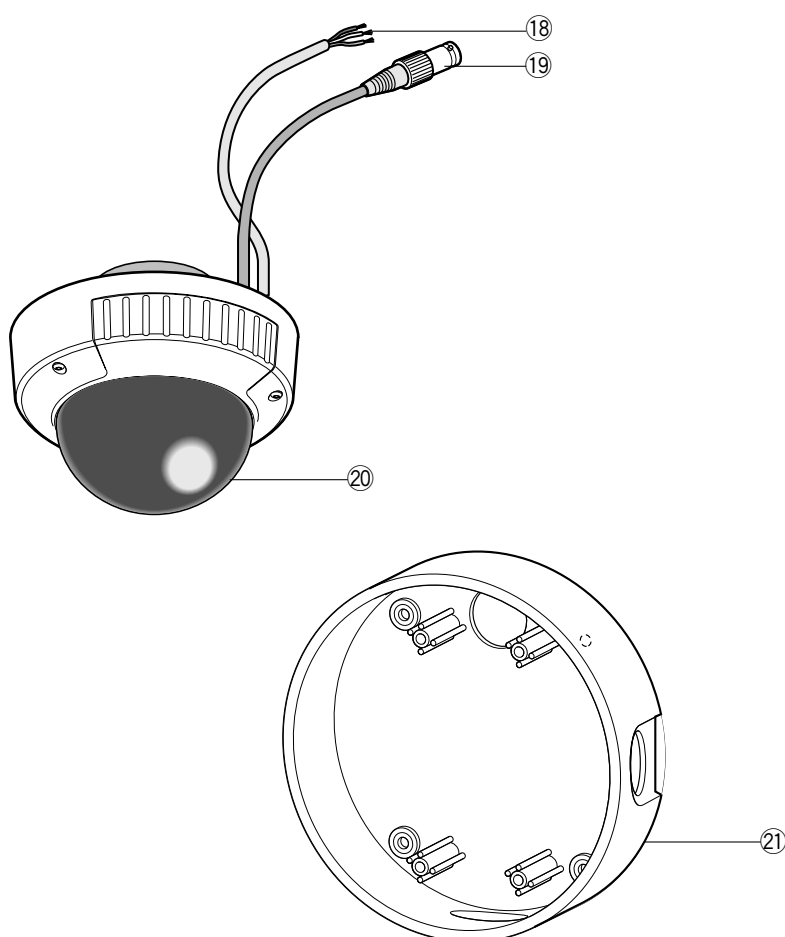
- The following functions are built in.
 - Auto Light Control (ALC)
 - The SUPER-D II function eliminates interference by strong background lighting which makes the camera picture dark, such as a spotlight.
Dynamic range of 46 dB (Typ)
 - Internal, Line-Locked, Multiplexed Vertical Drive (VD2) Sync
 - Auto/Manual White Balance Function
 - Electronic Shutter Function
- Signal-to-noise ratio of 50 dB (Equivalent to AGC Off)
- Minimum illumination of 2.4 lx (0.24 footcandle) (WIDE) (Color mode)
Minimum illumination of 0.3 lx (0.03 footcandle) (WIDE) (Black-and-white mode)
Minimum illumination of 0.8 lx (0.08 footcandle) (WIDE) with the WV-CW1C optional dome cover (Color mode)
Minimum illumination of 0.1 lx (0.01 footcandle) (WIDE) with the WV-CW1C optional dome cover (Black-and-white)
- 480 lines of horizontal resolution (Color mode)
570 lines of horizontal resolution (Black-and-white mode)
- High quality picture:
 - 2H type vertical enhancer for greater picture sharpness
 - Chroma averaging circuit for better color signal-to-noise ratio
 - Minimum of aliasing on fine objects
 - Expanded dynamic range by use of knee circuit
 - Highlight aperture correction for greater picture detail of bright objects
- Selectable electronic sensitivity enhancing modes including AUTO, MANUAL and OFF
- Built-in Digital Motion Detector
- Auto black-and-white mode enables the camera to switch between color and black-and-white picture in response to Light input.
- Electronic zoom function magnifies a scene 2-fold and changes the angle of view.

MAJOR OPERATING CONTROLS AND THEIR FUNCTIONS



- Panning table**
Adjusts the panning angle of the camera.
- Pan lock screw**
Fixes the panning position.
- Tilting lock screw**
Fixes the tilting position.
- AZIMUTH (Angle adjuster)**
Shoots in a straight-angle field of view when aiming at an object in a slanting direction even if the tilt angle has been set.
- Zoom lock lever**
Fixes the zoom position.
- Focus lock lever**
Fixes the focus position.
- LEFT button (L)**
Moves the cursor to the left, selects the mode and adjusts some levels.

- ⑧ **RIGHT button (⏪) (R)**
Moves the cursor to the right, selects the mode and adjusts some levels.
- ⑨ **UP button (⏶) (U)**
Moves the cursor upward and selects items in the CAM SET UP menu.
- ⑩ **DOWN button (⏵) (D)**
Moves the cursor downward and selects items in the CAM SET UP menu.
- ⑪ **SET button (⏹) (S)**
Activates an item selected in the CAM SET UP menu.
- ⑫ **BW AUTO1 LEVEL switch (SW5)**
Selects the illuminance level in LOW or HIGH mode for B/W. The factory default setting is HIGH.
- ⑬ **BW switch (SW4)**
Switches to AUTO1 between color and black-and-white picture in response to light input. The factory default setting is OFF.
- ⑭ **AP gain switch (SW3)**
Selects the aperture gain level to SHARP or SOFT. The factory default setting is SHARP.
- ⑮ **UPSIDE DOWN switch (SW2)**
Turns the picture upside down by selecting ON. The factory default setting is OFF.
- ⑯ **Sync switch (SW1)**
Switches internal sync (INT) mode or line-lock (LL) mode. The factory default setting is INT.
- ⑰ **Monitor output Jack (3.5 Diam. mini jack)**
Connects the LCD monitor and such devices with 3.5 diam. 2-pole L-type plug for checking images.



- ⑱ **Power cable**
- ⑲ **Video output cable with BNC connector**
Connects with the video connector of the monitor.
- ⑳ **Dome cover**
- ㉑ **Camera mounting bracket**
The WV-CW474S is supplied with a mounting bracket for ceiling installation.

Cautions:

1. Connect to 24 V AC (19.5 V-28 V) class 2 power supply only. Make sure to connect the grounding lead to the GND terminal when the power is supplied from a 24 V AC power source.
2. To prevent fire or electric shock hazard, use a UL listed cable (VW-1, style 1007) for the Input Terminal.

SETUP

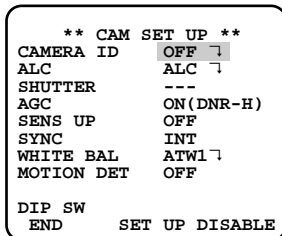
1. CAMERA SETUP MENU


This camera utilizes an on-screen user setup menu.

• Opening the Setup Menu

Press and hold down  (S) for 2 seconds or more.

The CAM SET UP menu appears on the monitor as shown at right. Check the current settings on the menu.









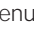
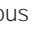

Refer to the following sections for a detailed description of menu items. If you decide not to make any changes after checking the current settings, move the cursor to END in the bottom line, and press  (S) to close the setup menu.

Note: If no button is pressed for 6 minutes while a setup menu is being displayed on the monitor screen, it is automatically closed and the mode returns to the normal camera picture.

2. SETUP OPERATION



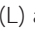
This camera utilizes an on-screen user setup menu (CAM SET UP). To set items on the CAM SET UP menu, use the following buttons on the side panel.

- Left Button ( (L): Moves the cursor to the left. Use this button to select or adjust the parameters of the selected item. The parameter changes each time this button is pressed.
- Right Button ( (R): Moves the cursor to the right. Use this button to select or adjust the parameters of the selected item. The parameter changes each time this button is pressed.
- Up Button ( (U): Moves the cursor upwards. Use this button to select an item or adjust the parameters.
- Down Button ( (D): Moves the cursor downwards. Use this button to select an item or adjust the parameters.
- Set Button ( (S): Executes selections and displays a submenu for an item with the ↵ mark.

- To reset the parameter to the factory default setting, move the cursor to the parameter to be reset and press  (L) and  (R) simultaneously.
- To return to the previous menu or page, move the cursor to RET and press  (S).
- To close the setup menu, move the cursor to END and press  (S).

• All Reset Operation



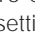


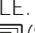
All Reset allows you to reset all setup menu items to the factory default settings if you are unsure about the correct settings. Proceed as follows:

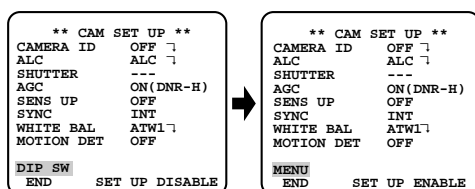
- Make sure that the CAM SET UP menu is not displayed (a camera picture is displayed).
- While pressing both  (L) and  (R), press  (S) for a few seconds. The message ALL RESET momentarily appears on the monitor screen. This resets all adjustments and parameters to the factory default settings.

• Editing the CAM SET UP Menu

Important Notice:

When SET UP DISABLE appears in the bottom line of the CAM SET UP menu, you cannot change the currently active settings. This is to prevent accidental changing of the settings.

To edit the CAM SET UP menu (change settings), press  (U) and  (D) or  (L) and  (R) to move the cursor to SET UP DISABLE in the bottom line. Press  (S). SETUP DISABLE changes to SETUP ENABLE. Move the cursor to DIP SW. Press  (S). DIP SW changes to MENU. Then move the cursor to the item(s) you want to change.



Notes:

- When DIP SW is selected for CAM SET UP menu, five modes can be set with the DIP switches.
- To operate the camera functions with the system controller, select MENU in the CAM SET UP menu.

Important Notice:

When the setup menu is closed after changing the parameters in the menu, the new values are stored in the EEPROM (Electrically Erasable and Programmable Read-Only Memory). These values remain valid until new values are stored, even if the power of the camera is off.

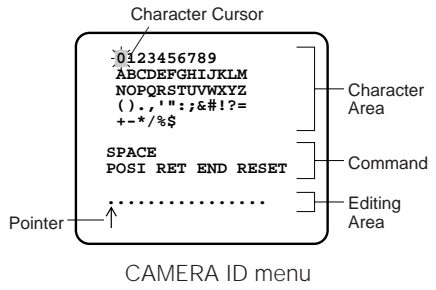
SETTING PROCEDURES

1. Camera Identification (CAMERA ID) Setting

You can use the camera identification (CAMERA ID) to assign a name to the camera. The camera ID consists of up to 16 alphanumeric characters. The camera ID display can be switched on or off on the monitor screen.

To edit the CAMERA ID

1. Move the cursor to CAMERA ID.
The factory default setting is OFF.
2. Press (S). The CAMERA ID menu appears. The cursor on the letter "0" is highlighted.
3. Move the cursor to the character you want to edit by pressing (L) / (R) / (U) / (D).
4. After selecting the character, press (S). The selected character appears in the editing area. (The pointer in the editing area moves to the right automatically at this moment.)
5. Repeat the steps above until all characters are edited.



To enter a blank space in the CAMERA ID

Move the cursor to SPACE and press (S).

To replace a specific character in the CAMERA ID

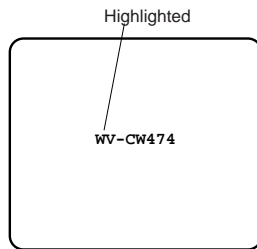
1. Move the cursor to the editing area by pressing (D).
2. Move the pointer to the character to be replaced by pressing (L) or (R). Then move the cursor to the character area and select a new character.
3. Press (S) to determine the CAMERA ID.

To erase all characters in the editing area

Move the cursor to RESET and press (S). All characters in the editing area disappear.

To determine the display position of the CAMERA ID

1. Move the cursor to POSI, and press (S). The display at right appears and the CAMERA ID is highlighted.
2. Move the CAMERA ID to the desired position by pressing (L) / (R) / (U) / (D).
3. Press (S) to fix the position of the CAMERA ID. The mode returns to the previous CAMERA ID menu.



Notes:

- The CAMERA ID stops at the edges of the monitor screen.
- The CAMERA ID moves faster if any of (L) / (R) / (U) / (D) is kept pressed for a second or more.

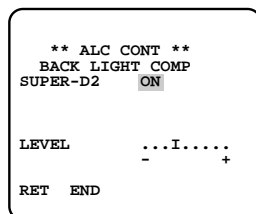
2. Light Control Setting (ALC)

2-1. ALC Mode with SUPER-D2 ON

Super Dynamic2 Function (SUPER-D2)


The important object in a scene is usually placed in the center of the monitor screen. In the SUPER-D2 mode, more photometric weight is given to the center of the screen (where the important object is located) than to the edge of the screen (where a bright backlight would most likely be located). The SUPER-D2 function eliminates interference by strong background lighting which makes the camera picture dark, such as a spotlight.

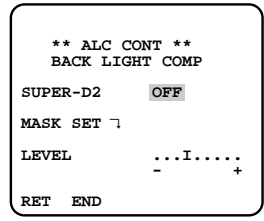
1. Move the cursor to ALC and press (S). The ALC CONT menu appears.
2. Move the cursor to SUPER-D2 and select ON.
3. If you want to adjust the video output level, move the "I" cursor for LEVEL. Adjust to the desired level by pressing (L) or (R).






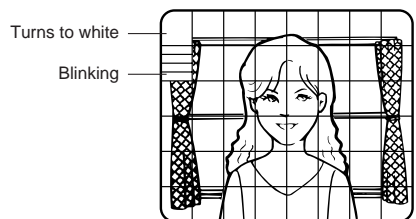
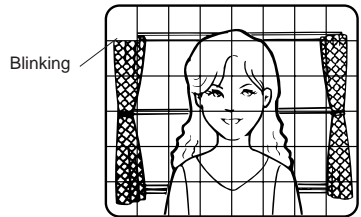
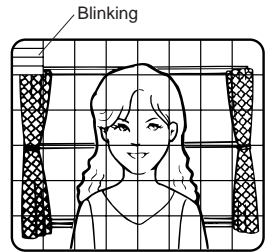
SETTING PROCEDURES

2-2. ALC Mode with SUPER-D2 OFF

1. Move the cursor to SUPER-D2 and select OFF. The MASK SET appears on the menu.
2. Move the cursor to MASK SET and press  (S). The 48 mask areas appear on the monitor screen. The cursor is blinking in the upper left corner of the screen.



3. Move the cursor to the area where backlight is bright and press  (S) to mask that area. The mask turns to white. (When the cursor is moved on an area that has already been masked, the mask and cursor start blinking.)
4. Repeat step 3 to mask the desired area. To cancel masking, move the cursor to that area and press  (S).
5. After masking is completed, press  (S) for 2 seconds or more. The ALC CONT menu appears.
6. If you want to change the video output level (picture contrast), move the "I" cursor for LEVEL and adjust the level.





Note: If ON is selected for SUPER-D2, a shadow (black line) may appear at the boundary between the bright and the dim scene. This is a natural phenomenon and does not indicate trouble.

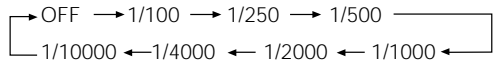
3. Shutter Speed Setting (SHUTTER)

Note: To select electronic shutter speed, select OFF for SUPER-D2 in the ALC CONT menu.

Move the cursor to SHUTTER and select the electronic shutter speed.

The preset values for SHUTTER (electronic shutter speed) change by pressing  (L) or  (R) as follows:

The factory default setting is ---.



4. Gain Control Setting (AGC ON (DNR-L, DNR-H)/OFF)

You can set the gain (brightness level portion of an image) to automatic level adjustment. Move the cursor to AGC and select automatic level adjustment ON (DNR-H), ON (DNR-L) or fixed level (OFF).

ON (DNR-L): Selects lower noise reduction level.

ON (DNR-H): Selects higher noise reduction level.

OFF (Fixed Level): Disables the gain control function.

The factory default setting is ON (DNR-H).

Notes:

- If ON (DNR-H) is selected for the AGC, the noise reduction function is automatically activated under low light conditions to reduce noise. In pictures containing a moving object, this may result in an afterimage.
- DNR-L is recommended for pictures containing a moving object that results in an afterimage. However, the noise slightly increases.
- DNR-H and DNR-L do not appear for AGC on the system controller setup menu.



5. Electronic Sensitivity Enhancement (SENS UP)

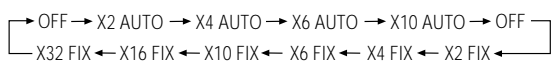
There are two modes for SENS UP.

AUTO: If you select X10 AUTO, for example, the sensitivity is automatically raised to X10 max. When AUTO is selected, AGC is automatically set to ON.

FIX: If you select X32 FIX, for example, the sensitivity is raised to just X32. The factory default setting is OFF.

Move the cursor to SENS UP and select the parameter for electronic sensitivity enhancement.

The preset values for SENS UP (electronic sensitivity enhancement) change by pressing  (L) or  (R) as shown right:



Notes:

- When ON is selected for SUPER-D2 in the ALC CONT menu, FIX is not available for this item.
- When you select AUTO for SENS UP and ON for SUPER-D2, the SENS UP function has priority so that the SUPER-D2 function is not activated automatically.
- While the SENS UP function is selected, noise, spots or a whitish phenomenon may appear in the picture when the sensitivity of the camera is increased. This is a normal phenomenon.

6. Synchronization Setting (SYNC)

You can select internal sync (INT) mode, line-lock (LL) mode or the VD2 signal (multiplexed vertical drive signal) mode.

Important Notices:

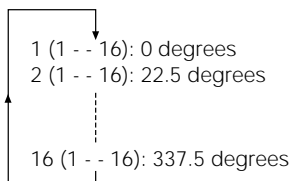
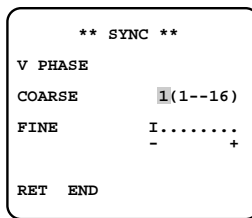
- The priority for the sync modes is as follows:
 - Multiplexed Vertical Drive (VD2) (Highest priority)
 - Line-lock (LL)
 - Internal Sync (INT) (Lowest priority)
- The line-lock mode has a submenu for line-lock vertical phase adjustment. If the camera installation is relocated, check the vertical phase adjustment again since the AC line phase may be different.

6-1. Line-lock Sync Mode (LL)

- Move the cursor to SYNC and select LL.

Note: The settings in this menu can be made only when the multiplexed vertical drive signal (VD2) is not supplied to the camera.

- After confirming that the cursor is on LL, press **[S]**. The vertical phase adjustment menu appears on the monitor screen.
- Supply the video output signal of the camera to be adjusted and the reference camera video output signal to a dual-trace oscilloscope.
- Set the oscilloscope to the vertical rate and expand the vertical sync portion on the oscilloscope.
- Move the cursor to COARSE. The cursor is highlighted.
- Press **[L]** or **[R]** to match the vertical phase for both video output signals as closely as possible. (COARSE adjustment can be incremented in 16 steps by 22.5 degrees by pressing **[L]** or **[R]**.)



- After the sixteenth step, the adjustment returns to the first step.
- Move the cursor to FINE.
- Press **[L]** or **[R]** to match the vertical phase for both video output signals as closely as possible. (FINE adjustment can be made by up to 22.5 degrees by pressing **[L]** or **[R]**.)

Notes:

- When the "I" cursor reaches the "+" end, it jumps back to "-". At the same time, COARSE is incremented by one step to enable a continuous adjustment. The reverse takes place when the "I" cursor reaches the "-" end.
- When **[L]** or **[R]** is kept pressed for a second or more, the "I" cursor moves faster.
- To reset COARSE and FINE to the values preset at the factory, press **[L]** and **[R]** simultaneously. COARSE and FINE adjustments are preset at the factory to zero-crossing of the AC line phase.
- If the AC line contains noise (spike noise, etc.), the stability of the vertical phase of the camera video output signal may be disturbed.

7. White Balance Setting (WHITE BAL)

7-1. Auto-Tracing White Balance Mode (ATW)

You can select one of three modes for white balance adjustment as follows: The factory default setting is ATW1.

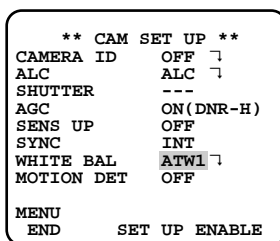
• ATW1 (Auto-Tracing White Balance 1)

Move the cursor to WHITE BAL and select ATW1.

In this mode, the color temperature is monitored continuously and thereby white balance is automatically set. The color temperature range for the proper white balance is approximately 2 600 - 6 000K. Proper white balance may not be obtained under the following conditions:

- The color temperature is out of the 2 600 - 6 000K range.
- When the scene contains mostly high color temperature objects, such as a blue sky or sunset.
- When the scene is dim.

In these cases, select the AWC mode.



• ATW2 (Auto-Tracing White Balance 2)

Auto-tracing white balance in sodium light mode (ATW2)

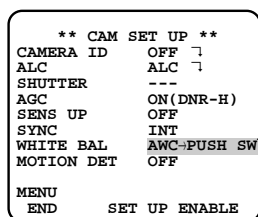
When that you select ATW2 for sodium light, white balance is set automatically (no operation needed).

Note: ATW1 and ATW2 do not appear for WHITE BAL on the system controller setup menu.

• Automatic White Balance Control Mode (AWC)

In this mode, accurate white balance is obtained within a color temperature range of approximately 2 300-10 000K.

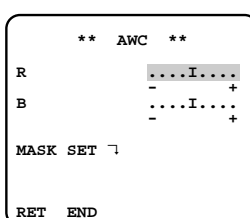
- Move the cursor to WHITE BAL and select AWC → PUSH SW.
- Press **[S]** to start the white balance setup. The PUSH SW is highlighted to indicate that the white balance is being set.



Highlighted

- When the white balance setting is completed, the PUSH SW returns to normal display. **Note:** If white balance is not set, the PUSH SW is being highlighted.

- When you want to adjust the white balance manually, press **[R]** to select AWC and press **[S]**. The AWC menu appears on the monitor screen. (When ATW is selected, pressing **[S]** displays the ATW menu.)



Manual Fine Adjustment for AWC (ATW)

You can set the white balance items manually.

1. To set MASK SET, proceed as described in steps 2 to 4 of "ALC mode with SUPER-D2 OFF".
2. Move the cursor to R.
3. Press (L) or (R) to obtain the optimum amount of red gain.
4. Move the cursor to B.
5. Press (L) or (R) to obtain the optimum amount of blue gain.

Note: When you need to set MASK SET, re-adjust to obtain the optimum amount of red and blue gain.

8. Motion Detector Setting (MOTION DET)

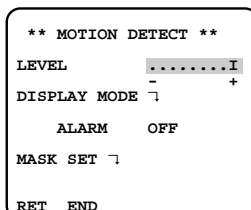
The motion detector detects the moving objects in the scene by monitoring changes in brightness level. You can select the level of sensitivity for motion detection.

When this camera is connected to a compatible intelligent CCTV system, the camera transmits an alarm signal by multiplexing it with the video signal.

1. Move the cursor to MOTION DET and select ON.

The factory default setting is OFF.

2. Press (S). The MOTION DETECT menu appears on the monitor screen.



3. Move the cursor to MASK SET and press (S). MASK SET lets you set 48 mask areas. To set MASK SET, proceed as described in steps 2 to 4 of "ALC mode with SUPER-D2 OFF".

4. Move the cursor to ALARM and select ON or OFF to set the alarm for DISPLAY MODE.

Note: When using the WV-RM70, WV-CU550 series, WV-CU161 or WV-CU360 controller with this model, select OFF for ALARM.

5. Move the cursor to DISPLAY MODE and press (S) to see the current setting. The masks that detect the brightness changes start blinking.
6. To raise detection sensitivity, press (S) to return to the MOTION DETECT menu.
7. To obtain the optimum detection level, move the "I" cursor to adjust the level.
8. Repeat the procedures above to obtain a satisfactory setting.

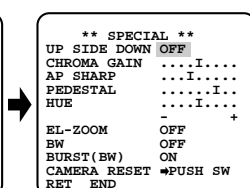
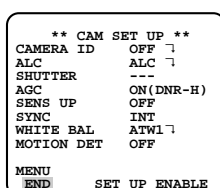
Notes:

- Masking or adjusting the detection level is needed to prevent malfunction under the following conditions:
 - When shooting an object under flickering fluorescent light.
 - When leaves or curtains etc. are swayed by the wind.
 - When the object is lighted by lighting equipment that constantly turns on and off.
- It takes about 0.2 seconds for the alarm signal to reach the alarm terminal of the VCR after the camera detects the object. Because the alarm signal is multiplexed on the video signal, it may be mistakenly interpreted by other video equipment as a time code signal. Therefore, when the camera is not used in a Panasonic Intelligent CCTV System, select OFF to prevent the above from occurring.
- The camera will deactivate the detector for a few minutes after the power of the camera is turned on or the BW setting in the Special Menu is set to something other than OFF.
- The motion detection function is not designed specifically for prevention of theft, fire, etc.

9. Special Menu

This menu lets you adjust and set up the video signal of the camera to meet your requirements.

Move the cursor to END in the bottom line of the CAM SET UP menu and press (L) and (R) simultaneously (holding down (L) and press (R)) for 2 seconds or more. The SPECIAL menu appears on the monitor screen.



9-1. Camera Picture Upside Down Positioning (UP SIDE DOWN)

1. Move the cursor to UP SIDE DOWN.
2. Select ON when you want to turn the picture upside down.

9-2. Chroma Level Setting (CHROMA GAIN)

1. Move the cursor to CHROMA GAIN.
2. While observing the vectorscope or color video monitor, move the "I" cursor to adjust the chroma level.

9-3. Aperture Gain Setting (AP SHARP/AP SOFT)

1. Move the cursor to AP SHARP.
2. To select AP SOFT, press (S).
3. While observing the waveform monitor or color video monitor, move the "I" cursor to adjust the aperture gain level.

9-4. Pedestal Level Setting (PEDESTAL)

1. Move the cursor to PEDESTAL.
2. While observing the waveform monitor or color video monitor, move the "I" cursor to adjust the pedestal level (black level).

9-5. Chroma Phase (Hue) Setting (HUE)

1. Move the cursor to HUE.
2. While observing the vectorscope or color video monitor, move the "I" cursor to adjust the hue (chroma phase) level.

9-6 Electronic Zoom (EL-ZOOM)

1. Move the cursor to EL-ZOOM.
2. Select ON or OFF using (L) or (R).
The factory default setting is OFF.
ON: x2 electronic zoom is available with the ZOOM switch on the controller.
OFF: The electronic zoom function is disabled.
3. While the cursor is on EL-ZOOM, press (S). The EL-ZOOM setting menu appears.
4. Move the cursor to PUSH SET for ZOOM and press (S) to display the ZOOM setting menu.
5. Press (U) or (D) to zoom in or out the image.
6. Move the cursor to PUSH SET for PAN/TILT and press (S). The PAN/TILT setting menu appears.
7. Press (U) or (D) (L) or (R) to change the angular field of view.
8. To return to the EL-ZOOM setting menu, press (S).

```

** EL-ZOOM **
PAN/TILT  →PUSH SET
ZOOM      →PUSH SET
          U TILT D/L PAN R
RET END

```

```

** EL-ZOOM **
PAN/TILT  →PUSH SET
ZOOM      →PUSH SET
          U ZOOM D
RET END

```

9-7 BW

This function lets you switch from color to black-and-white picture automatically in low light conditions such as at night.

1. Move the cursor to BW.
2. Select AUTO1, AUTO2, ON or OFF using (L) or (R).
The factory default setting is OFF.

AUTO1: The camera selects black and white mode if the picture is dark, or color mode if the picture is bright enough.

AUTO2: Applying AUTO1 may cause malfunction when using a source of near-infrared light at night because the illuminance changes significantly when switching between the color picture and a black-and-white picture. This can be prevented by using the AUTO2 setting to detect the type of light source.

Notes:

- Because the type of light source is detected based on information received from the CCD image pickup element, an object that is constantly moving or has the same color as its background may not always be properly recognized. When choosing the AUTO2 mode, make sure to use a light source having a wavelength of 800 nm or more.
- The object may be out of focus when using a source of near-infrared light than using the visible light.

ON: Black-and-white mode enabled.

OFF: Color mode enabled.

3. Select AUTO1 or AUTO2 using (L) or (R).
4. Press (S).
The AUTO1 or AUTO2 menu appears on the monitor screen.
5. Move the "I" cursor to LEVEL to select the illuminance level using (L) or (R).
The factory default setting is HIGH.

LOW: Color picture switches to black-and-white picture at approx.2 lx.

HIGH: Color picture switches to black-and-white picture at approx.5 lx.

6. Move the "I" cursor for DURATION TIME to set the switching time using (L) or (R).

The following switching times are available:

10s--30s--60s--300s
(S) (L)

```

** BW AUTO1 **
LEVEL      HIGH
DURATION TIME .I..
           S L
RET END

```

9-8 BURST (BW)

1. Move the cursor to BURST (BW).
2. Select ON or OFF using (L) or (R).

ON: The burst signal is supplied along with the black-and-white composite video signal.

OFF: The burst signal is not output.

The factory default setting is ON.

Notes:

- We recommend that you usually select ON.
- When the camera is used to synchronize the system for external sync, select ON to prevent a malfunction.

To reset to the factory settings (CAMERA RESET)

1. Move the cursor to CAMERA RESET. The PUSH SW is highlighted.
2. While holding down (L) and (R), press (S) for 2 seconds or more. The camera is reset to the factory settings.

SPECIFICATIONS

Pick-up Device:	768 (H) x 494 (V) pixels, Interline Transfer CCD
Scanning Area:	4.8 (H) x 3.6 (V) mm (Equivalent to scanning area of 1/3" pick-up tube)
Scanning:	525 lines/60 fields/30 frames
Horizontal:	15.734 kHz
Vertical:	59.94 Hz
Synchronization:	Internal, Line-locked or Multiplexed vertical drive (VD2) Sync selectable
Video Output:	1.0 V[p-p] NTSC composite 75 Ω /BNC connector
Horizontal Resolution:	480 lines (C/L), 570 lines (B/W)
Signal-to-Noise Ratio:	50 dB (Equivalent to AGC Off, weight On, AP On)
Dynamic Range:	46 dB (Typ)
Minimum Illumination:	2.4 lx (0.24 footcandle) (WIDE) (C/L), 0.3 lx (0.03 footcandle) (WIDE) (B/W) When the optional WV-CW1C dome cover is installed. 0.8 lx (0.08 footcandle) (WIDE) (C/L), 0.1 lx (0.01 footcandle) (WIDE) (B/W)
Gain Control:	ON (DNR-H), ON (DNR-L) or OFF (SET UP MENU) selectable
White Balance:	ATW1, ATW2 or AWC (SET UP MENU) selectable
Aperture:	Set Variable (SET UP MENU)
Super Dynamic II :	ON or OFF (SET UP MENU) selectable
Electronic Shutter Speed:	OFF, 1/100, 1/250, 1/500, 1/1 000, 1/2 000, 1/4 000, 1/10 000 s selectable
Lens	
Focal length:	3.8 mm - 8 mm
Maximum aperture ratio:	1:1.4 (Wide), 1:1.8 (Tele)
Angular field of view:	Horizontal: 35.6 ° - 73.6 ° Vertical: 26.6 ° - 53.4 °
Focusing range:	1.2 m - ∞ (3.9 ft - ∞)
Ambient Operating Temperature:	-10 °C - +50 °C (14 °F - 122 °F)
Ambient Operating Humidity:	Less than 90 %
Power Source and	
Power Consumption:	24 V AC 60 Hz, 4.6 W
Dimensions (without lens):	WV-CW474F: 133 mm (H) x 152.5 mm (D) 5-1/4" (H) x 6" (D) WV-CW474S: 136.5 mm (H) x 160 mm (D) 5-3/8" (H) x 6-5/16" (D)
Weights:	WV-CW474F: 1.0 kg (2.2 lbs.) WV-CW474S: 1.4 kg (3.1 lbs.)

Weights and dimensions indicated are approximate.
Specifications are subject to change without notice.

STANDARD ACCESSORIES

Tamperproof screw bit	1 pc.
Camera mounting bracket (supplied with only WV-CW474S).....	1 pc.
Camera mounting screw (with a plastic washer)	4 pcs. (supplied with only WV-CW474S)

OPTIONAL ACCESSORIES

WV-CW1C Dome Cover
WV-Q112 Camera mounting bracket (for WV-CW474F)

Panasonic Security and Digital Imaging Company

A Division of Matsushita Electric Corporation of America

Executive Office: One Panasonic Way 3E-7, Secaucus, New Jersey 07094

Regional Offices:

Northeast: One Panasonic Way, Secaucus, NJ 07094 (201) 348-7303

Southern: 1225 Northbrook Parkway, Suite 1-160, Suwanee, GA 30024 (770) 338-6838

Midwest: 1707 North Randall Road, Elgin, IL 60123 (847) 468-5211

Western: 6550 Katella Ave., Cypress, CA 90630 (714) 373-7840

Panasonic Canada Inc.

5770 Ambler Drive, Mississauga,
Ontario, L4W 2T3 Canada (905)624-5010

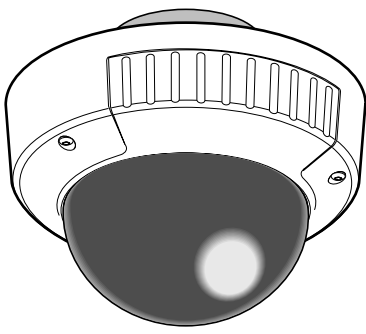
Panasonic Sales Company

Division of Matsushita Electric of Puerto Rico Inc.

Ave. 65 de Infanteria. Km. 9.5
San Gabriel Industrial Park, Carolina,
Puerto Rico 00985 (809)750-4300

Color CCTV Cameras Instructions

Model No. **WV-CW474F**
WV-CW474S



Before attempting to connect or operate this product, please read these instructions carefully and save this manual for future use.

N1101-1121 V8QA5952BN

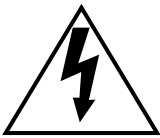
Printed in Japan
N 19

For U.S.A.



NOTE: This equipment has been tested and found to comply with the limits for a Class A digital device, pursuant to Part 15 of the FCC Rules. These limits are designed to provide reasonable protection against harmful interference when the equipment is operated in a commercial environment. This equipment generates, uses, and can radiate radio frequency energy and, if not installed and used in accordance with the instruction manual, may cause harmful interference to radio communications. Operation of this equipment in a residential area is likely to cause harmful interference in which case the user will be required to correct the interference at his own expense.

FCC Caution: To assure continued compliance, (example - use only shielded interface cables when connecting to computer or peripheral devices). Any changes or modifications not expressly approved by the party responsible for compliance could void the user's authority to operate this equipment.



SA 1965

The lightning flash with arrow-head symbol, within an equilateral triangle, is intended to alert the user to the presence of uninsulated "dangerous voltage" within the product's enclosure that may be of sufficient magnitude to constitute a risk of electric shock to persons.



SA 1966

The exclamation point within an equilateral triangle is intended to alert the user to the presence of important operating and maintenance (servicing) instructions in the literature accompanying the appliance.

The serial number of this product may be found on the top of the unit.

You should note the serial number of this unit in the space provided and retain this instruction as a permanent record of your purchase to aid identification in the event of theft.

Model No. _____

Serial No. _____

WARNING:

To reduce the risk of fire or electric shock, do not expose this appliance to rain or moisture.

■ Preface

Panasonic's WV-CW474F/CW474S series color digital camera is designed for installing a wall or ceiling board.

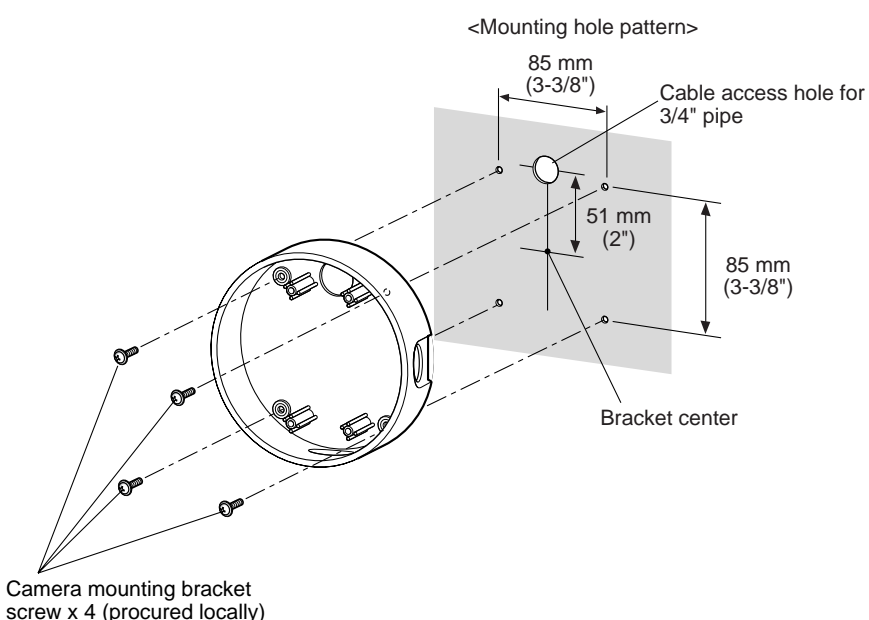
■ Installation

The following installation should be made by qualified service personnel or system installers. **Important notice:** Be sure to use a ceiling board having enough strength to support this camera.

■ Camera Mounting Position

WV-CW474F should be mounted into the two gang junction box (4 in. x 4 in.) built in a wall or ceiling.

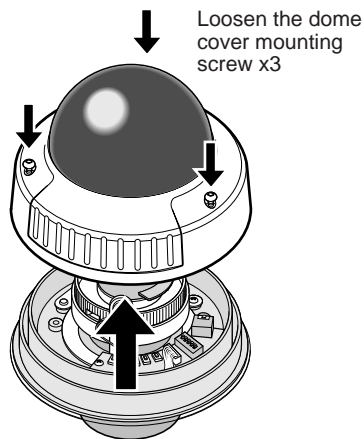
WV-CW474S should be mounted by use of the supplied camera mounting bracket. The camera mounting bracket can be mounted on a flat surface such as a wall and ceiling. Secure the camera mounting bracket to the position where the camera should be mounted with the supplied four screws. Verify the camera mounting bracket is mounted firmly after screwing it.



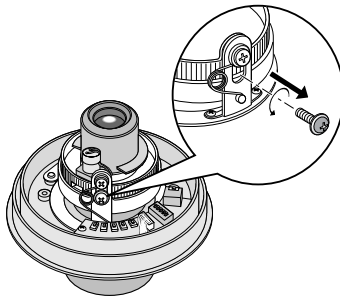
How to mount the camera

1. Remove the dome cover from the main body by loosening the three dome cover mounting screws.

The dome cover is fixed with tamperproof screws. Loosen the three dome cover mounting screws by using the supplied bit for tamperproof screw.



2. Unscrew the red screw for transport protection with a Phillips screw driver.



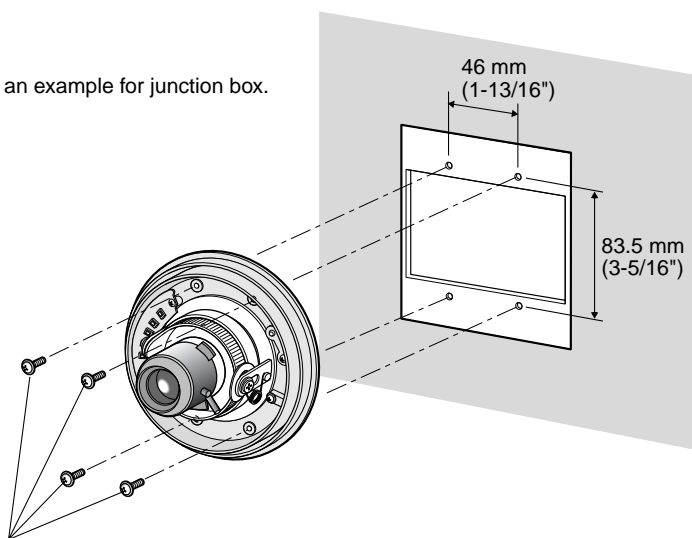
3. Connect the power cable and the BNC plug of the video output cable as described in the section "CONNECTIONS".

4. Secure the camera with four camera mounting screws.

- For WV-CW474F

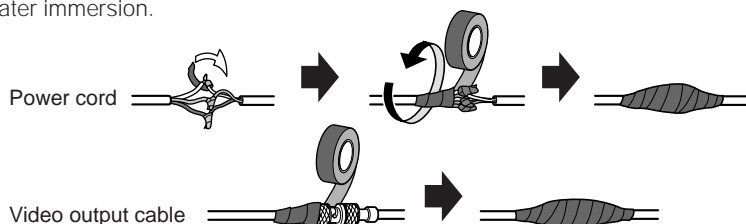
Secure the camera on the junction box with four camera mounting screws. The four camera mounting screws are not supplied. Please take note that you should purchase the screws in accordance with the tapped holes of the junction box. The mounting holes of this unit accept M4 or less screws.

Shown figure is an example for junction box.



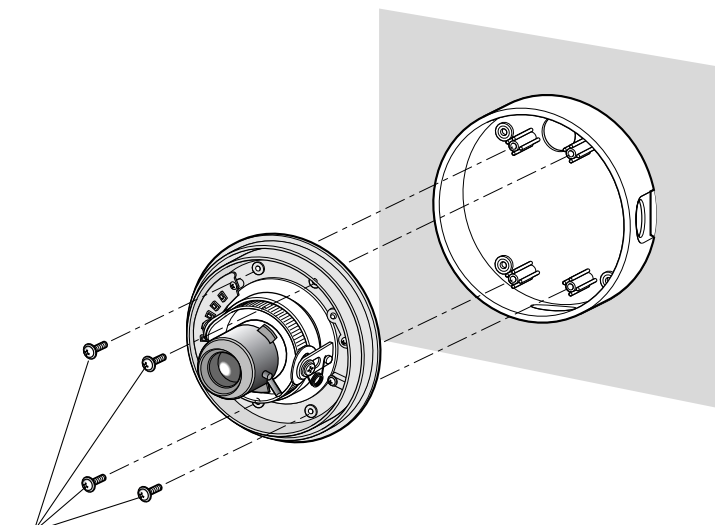
Camera mounting screw x 4 (supplied)
Seal the screws and screw holes with such a material as silicone clay (rubber) to prevent water immersion if the camera is installed in the outdoor.

Insulate the three connecting leads of the power cords from one another, and cover the connecting portions with insulating tape as well as the portions between the video output cable and the BNC connector and between the BNC connectors to prevent the portions from water immersion.



- For WV-CW474S

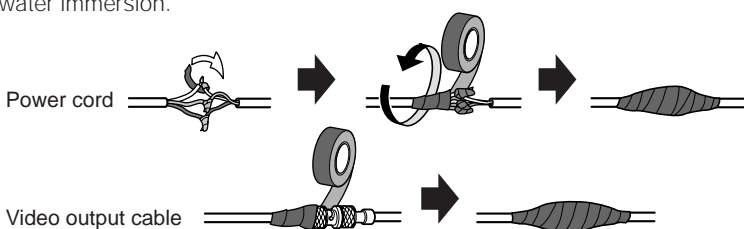
Secure the camera on the camera mounting bracket mounted on a wall or ceiling.



Camera mounting screw x 4 (procured locally)

- The camera mounting bracket is not designed for waterproof.

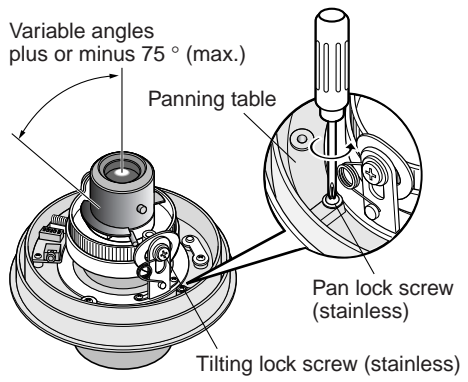
Insulate the three connecting leads of the power cords from one another, and cover the connecting portions with insulating tape as well as the portions between the video output cable and the BNC connector and between the BNC connectors to prevent the portions from water immersion.



5. Adjust the panning, tilting and azimuth while watching the monitor.

Notes:

- You can check images by connecting an LCD monitor and such devices to the monitor output jack. However, images are not available on the monitor connected to the video output cable.
- When connecting the LCD monitor's plug to the monitor output jack, the mode is automatically set to ELC. When disconnecting it, ELC mode is automatically canceled.
- The signal from the monitor output jack can cause smear on the monitor when a high-luminance area is displayed.



(1) Loosen the pan lock screw (stainless) with the Phillips screwdriver. Panning becomes adjustable.

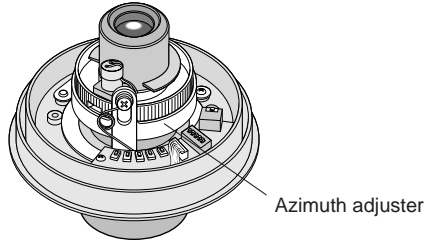
(2) Loosen the tilting lock screw (stainless) with the Phillips screwdriver. Tilting becomes adjustable.

Note: Do not touch a black screw placed on the opposite side.

(3) After adjusting panning and tilting, tighten both of the lock screws with the Phillips screwdriver.

(4) Adjust the azimuth.

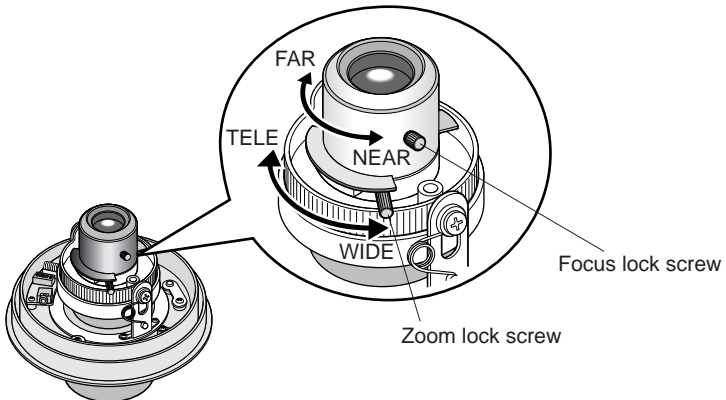
If the image is slanting, turn the azimuth adjuster to obtain a leveled image.



6. Adjust the focus.

Precautions:

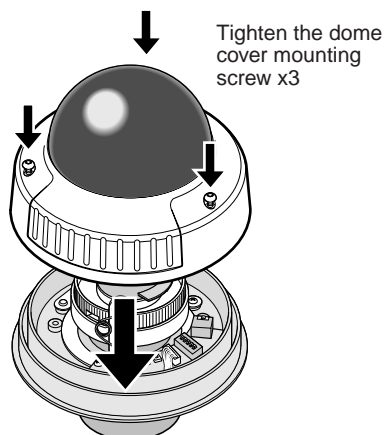
- The focus adjustment should be done at the same time as the camera angle adjustment.
 - Set the zoom position to TELE before focusing.
- Loosen the focus lock screw by turning it counterclockwise. The focus lock screw and the tip of the focus lever are identical with each other. The focus lever becomes movable after loosening the focus lock screw.
 - Adjust the focus by moving the focus lever to NEAR side or FAR side.
 - Turn the focus lock screw clockwise to tighten the focus lever after adjustment.



7. Adjust the zoom.

- Loosen the zoom lock screw by turning it counterclockwise. The zoom lock screw and the tip of the zoom lever are identical with each other. The zoom lever becomes movable after loosening the zoom lock screw.
- Adjust the zoom by moving the zoom lever to TELE side or WIDE side.
- Turn the zoom lock screw clockwise to tighten the zoom lever after adjustment.

8. Reinstall the dome cover to the main body by tightening three dome cover mounting screws.

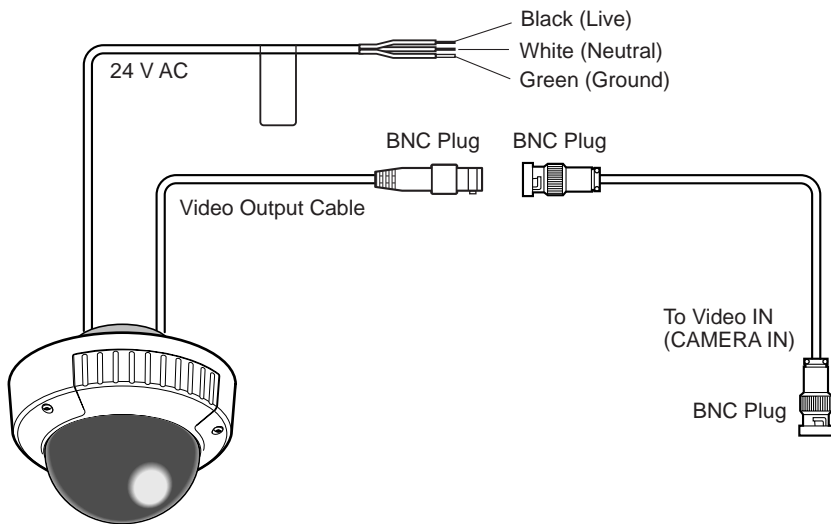


■ Connections

Precaution:

The following connections should be made by qualified service personnel or system installers in accordance with NEC 725-51.

Note: For the WV-CW474F/CW474S Color CCTV Cameras, do not use a transformer larger than 10 VA.



• Power supply connection

Recommended wire gauge sizes for 24 V AC line.

Copper wire size (AWG)		#24 (0.22mm ²)	#22 (0.33mm ²)	#20 (0.52mm ²)	#18 (0.83mm ²)
Length of cable (Approx.)	(m)	20	30	45	75
	(ft)	65	100	160	260

CAUTIONS

- Shrinking the cable-entry seal is a one-time procedure. Do not shrink the cable-entry seal until it has been ascertained that the unit is functioning.
CONNECT THIS TO 24V AC CLASS 2 POWER SUPPLY ONLY.
- To prevent fire or electric shock hazard, the UL listed wire VW-1 style 1007 should be used for the cable for 24V AC Input Terminals.

■ Specifications

Dimensions:	WV-CW474F:	133 mm (H) x 152.5 mm (D) 5-1/4" (H) x 6" (D)
	WV-CW474S:	136.5 mm (H) x 160 mm (D) 5-3/8" (H) x 6-5/16" (D)
Weights:	WV-CW474F:	1.0 kg (2.2 lbs.)
	WV-CW474S:	1.4 kg (3.1 lbs.)

Weights and dimensions indicated are approximate.
Specifications are subject to change without notice.

■ Standard Accessories

Tamperproof screw bit	1 pc.
Camera mounting bracket (supplied with only WV-CW474S).....	1 pc.
Camera mounting screw (with a plastic washer)	4 pcs.
(supplied with only WV-CW474S)	

Panasonic Security and Digital Imaging Company
A Division of Matsushita Electric Corporation of America
Executive Office: One Panasonic Way 3E-7, Secaucus, New Jersey 07094

Regional Offices:
Northeast: One Panasonic Way, Secaucus, NJ 07094 (201) 348-7303
Southern: 1225 Northbrook Parkway, Suite 1-160, Suwanee, GA 30024 (770) 338-6838
Midwest: 1707 North Randall Road, Elgin, IL 60123 (847) 468-5211
Western: 6550 Katella Ave., Cypress, CA 90630 (714) 373-7840

Panasonic Canada Inc.
5770 Ambler Drive, Mississauga,
Ontario, L4W 2T3 Canada (905)624-5010

Panasonic Sales Company
Division of Matsushita Electric of Puerto Rico Inc.
Ave. 65 de Infanteria. Km. 9.5
San Gabriel Industrial Park, Carolina,
Puerto Rico 00985 (809)750-4300