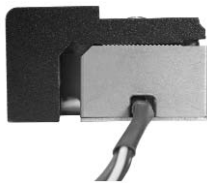




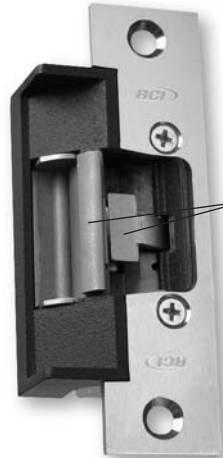
*In or Out...we make it Easy!®*

**Universal  
6 Series Available!**

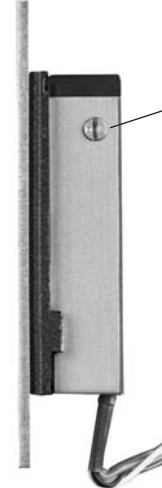
**Horizontal Adjustment**  
(up to 1/4")



LMKM Monitor switch option shown on all strike images.



**LMKM** Monitor  
Switch option



**Lock Mode  
Selection Dial**  
(No special  
tools required.)

## 6 Series Electric Strike

## Features & Benefits

- Field selectable lock mode – choose fail locked or fail unlocked with the turn of a dial (Fail unlocked mode requires DC voltage)
- Field selectable voltage input – accommodates 12 or 24VDC and 12 to 24VAC (even 16VAC) in one strike!
- Low profile version is shallow enough for use with narrow stile aluminum frames (only 1-1/16" deep).
- Horizontal adjustability for proper alignment (up to 1/4")
- Monitor switch option
- Modular "plug-in" wire connectors for fast hook-up
- Modular faceplate designs for a variety of frame types and cut outs
- **New!** Universal model includes 3 faceplates (04/14/08) L65U / S65U

## Applications

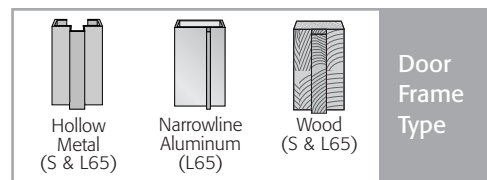
- Commercial Centers
- Industrial Buildings
- Educational Facilities
- Retail Outlets
- Health Care Facilities
- Office Complexes

## S65/L65

RCI's "all-in-one" 6 Series electric strike combines several requested key features. Standard features include a multi-voltage single solenoid, selectable lock mode (no tools necessary), horizontal adjustment, and plug-in wire connectors. An optional monitor switch is also available. The L65 Low Profile version accepts 1/2" or 5/8" latch projection (perfect for narrow stile aluminum frames). The S65 Standard version is ideal when you require 3/4" latch projection. Not only will installations be faster and easier, distributors and installers can cut their strike inventory significantly, because one strike does it all!

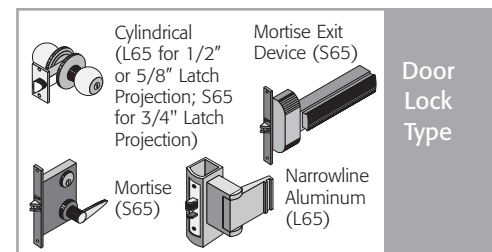
## Highlights

- Field selectable lock mode
- Field selectable voltage
- Tested to over 1,000,000 cycles
- Dynamic force tested to 70 ft. lbs.
- UL Listed 1034 Burglary Resistant
- Low profile version
- Horizontal adjustability
- Plug-in wire connectors
- Patented
- 3-year limited warranty



## Options & Accessories

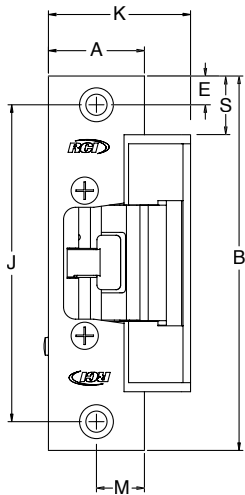
- LMKM** .....Latch Monitor/Keeper Monitor (Status) (see reverse for LMKM details)
- LEKL6** .....Lip Extension Kit for Retrofit (Low profile, specify 1, 2, 3)
- LEKS6** .....Lip Extension Kit for Retrofit (Standard, specify 1, 2, 3)
- L6JIG/S6JIG** .....Low Profile or Standard frame Prep Jig
- 6HK9** .....Standard Strike Mounting Hardware Kit
- Special Finishes** .....Available upon request - 3, 4, 10, 10B, 32



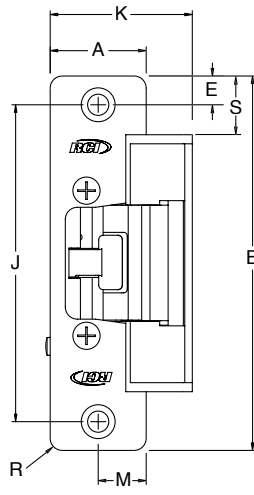
# Specifications



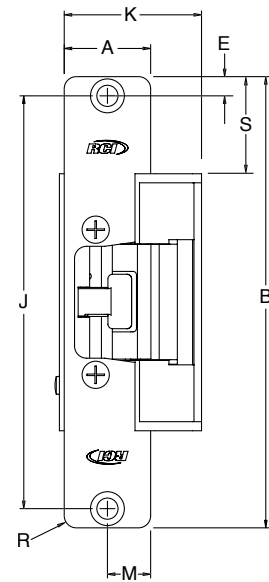
**S6514/L6514**  
(1-1/4"W x 4-7/8"H)  
Hollow Metal or Wood



**S6504/L6504**  
(1-1/4"W x 4-7/8"H)  
Aluminum or Wood



**S6505/L6505**  
(1-1/8"W x 5-7/8"H)  
Aluminum or Wood

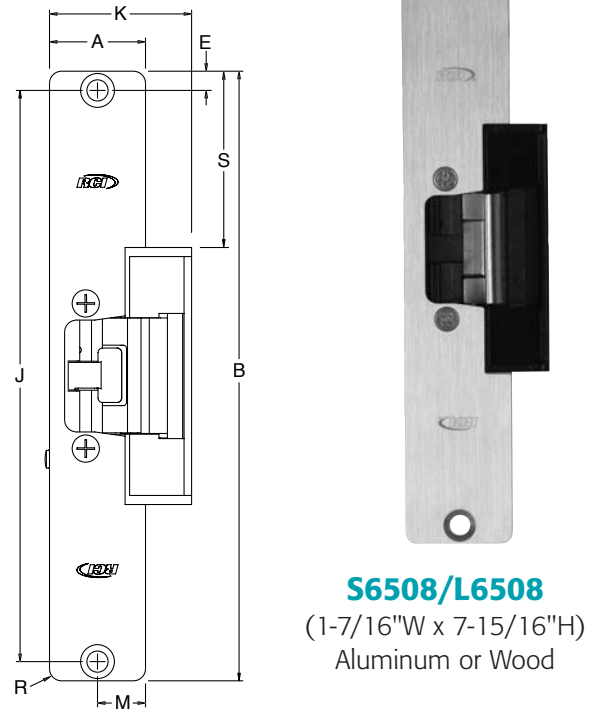
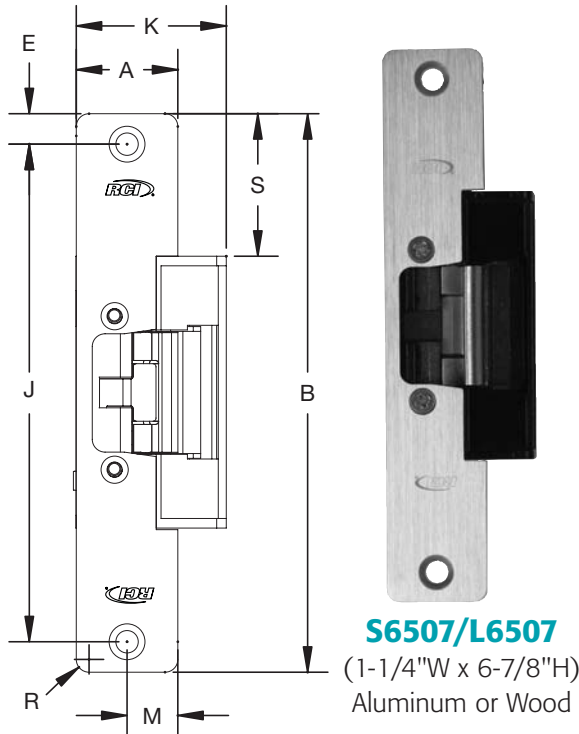


PROFILE MEASUREMENT	S/L6514 INCHES	S/L6514 DECIMAL	S/L6514 METRIC (mm)	S/L6504 INCHES	S/L6504 DECIMAL	S/L6504 METRIC (mm)	S/L6505 INCHES	S/L6505 DECIMAL	S/L6505 METRIC (mm)
A	1-1/4	1.25	31.75	1-1/4	1.25	31.75	1-1/8	1.125	28.58
B	4-7/8	4.875	123.83	4-7/8	4.875	123.83	5-7/8	5.875	149.23
E	3/8	.375	9.53	3/8	.375	9.53	1/4	0.25	6.35
J	4-1/8	4.125	104.78	4-1/8	4.125	104.78	5-3/8	5.375	136.53
K	1-27/32	1.844	46.83	1-27/32	1.844	46.83	1-25/32	1.781	45.24
M	5/8	.625	15.88	5/8	.625	15.88	35/64	.547	13.89
R	—	—	—	5/32	0.156	3.97	5/32	0.156	3.97
S	49/64	.766	19.45	49/64	.766	19.45	1-17/64	1.266	32.15

# S6514, S6504, S6505, S6507, S6508

# L6514, L6504, L6505, L6507, L6508

*In or Out...we make it Easy!®*



PROFILE MEASUREMENT	S/L6507 INCHES	S/L6507 DECIMAL	S/L6507 METRIC (mm)	S/L6508 INCHES	S/L6508 DECIMAL	S/L6508 METRIC (mm)
A	1-1/4	1.250	31.75	1-7/16	1.438	36.51
B	6-7/8	6.875	174.63	7-15/16	7.938	201.61
E	3/8	.375	9.53	1/4	.250	6.35
J	6-1/8	6.125	155.58	7-7/16	7.438	188.91
K	1-51/64	1.797	45.64	1-15/16	1.938	49.21
M	5/8	.625	15.88	23/32	.720	18.26
R	5/32	.156	3.99	5/32	0.156	3.99
S	1-49/64	1.766	44.85	2-9/32	2.281	57.94



*In or Out...we make it Easy!®*

Model(s)	Mode Field Selectable	Voltage Field Selectable	Duty	Sound	Amps <sup>†</sup>	Ohms <sup>†</sup>
S6500/L6500	FUL/FL	12VDC	Continuous	Silent	.375	37
S6500/L6500	FUL/FL	24VDC	Continuous	Silent	.190	148
S6500/L6500	FUL/FL	12 to 24VAC	Intermittent	Buzz	.565 - .280	148

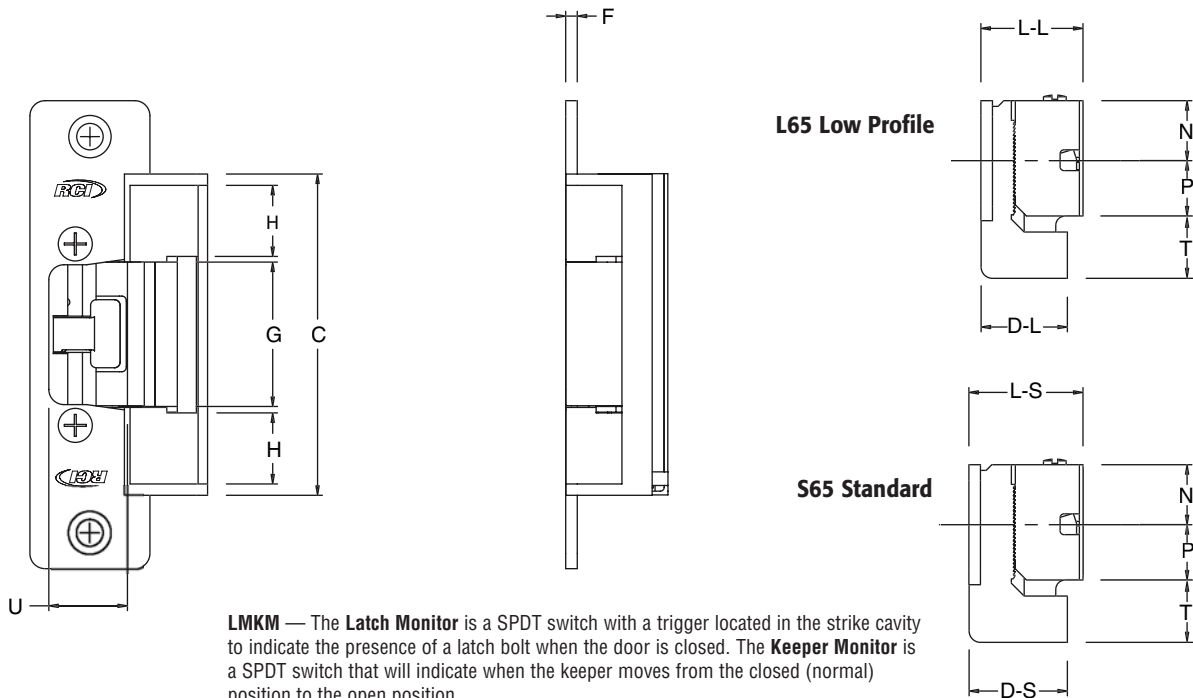
\*Ratings are based on maximum current draw at +10°C and include initial power-up current draw. †Nominal resistance at +25°C ± 7% tolerance.

Profiles										
MEASUREMENT	C	D-S	D-L	F	G	H	L-S	L-L	N	P
FRACTIONAL INCHES	3-11/32	1-5/32	1-1/16	1/8	1-1/2	47/64	1-3/16	1-1/16	5/8	37/64
DECIMAL INCHES	3.344	1.156	1.063	.125	1.500	.734	1.188	1.063	.625	.578
METRIC mm	84.93	29.37	26.99	3.18	38.10	18.65	30.16	26.99	15.88	14.68

T MEASUREMENT	default	min	max
FRACTIONAL INCHES	21/32	1/2	49/64
DECIMAL INCHES	0.656	0.500	0.766
METRIC mm	16.67	12.70	19.45

U MEASUREMENT	default	min	max
FRACTIONAL INCHES	13/16	45/64	31/32
DECIMAL INCHES	0.813	0.703	0.969
METRIC mm	20.64	17.86	24.61

**NOTE:** Specifications are subject to change without notice. S6514 dimensions are listed as D-S and L-S. L6514 dimensions are listed as D-L and L-L.



**LMKM** — The **Latch Monitor** is a SPDT switch with a trigger located in the strike cavity to indicate the presence of a latch bolt when the door is closed. The **Keeper Monitor** is a SPDT switch that will indicate when the keeper moves from the closed (normal) position to the open position.

**NOTE:** LMKM Switches are rated at 2 Amps @ 24VDC

RCI also offers a complete line of Electromagnetic Locks, Electric Locks, Switches, Power Supplies, Keypads & Readers, Exit Devices, Systems & Door Hardware