

G-Prox™ II Mullion and Switchplate Access Control Solutions

G-Prox™ II Mullion and Switchplate readers from VEREX Technology provide economic, ergonomic and flexible solutions for your access control requirements.

G-Prox™ II Mullion readers may be mounted on all door frames independent of material type for maximum read range.

G-Prox™ II Switchplate readers can be mounted on walls next to the door frames.

Each reader style is offered in four types:

- Proximity Reader
- Proximity Reader with Wiegand Keypad (keypad data over shared Wiegand Cable)
- Proximity Reader with Matrix Keypad
- Proximity Reader Arming Station

Features:

- Field programmable using reader configuration cards
- Available in either white, charcoal gray or black
- Fully weatherized to withstand outdoor conditions

The proximity readers are compatible with all VEREX Access Control Systems, and any other Wiegand Access Control Systems. The G-Prox™ II proximity readers can only be used with G-Prox™ II access cards. A single, bi-color LED is used to indicate door and access status. Keypad models are available in both Matrix and Wiegand format to ensure compatibility with the widest range of access controllers.

Proximity Reader

For card-only applications, use the basic G-Prox™ II Mullion or Switchplate reader with a single bi-color LED.

Proximity Reader with Keypad

Where extra security is required, use the G-Prox™ II Mullion or Switchplate reader with integrated keypad. When used with Access Control Systems from VEREX Technology, this extra security can be selected either manually or by time of day.

Arming Station

Features 2 extra LEDs to verify system arming.

Programmable Security Levels (Option)

Readers may be optionally configured with lock codes to recognize specific cards. This allows for enhanced site or dealer specific security applications using VEREX Technology's card and reader programmers.



Mullion Reader

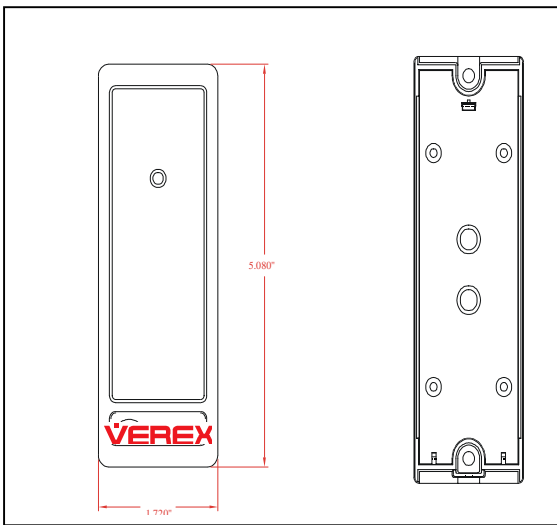


Switchplate Reader

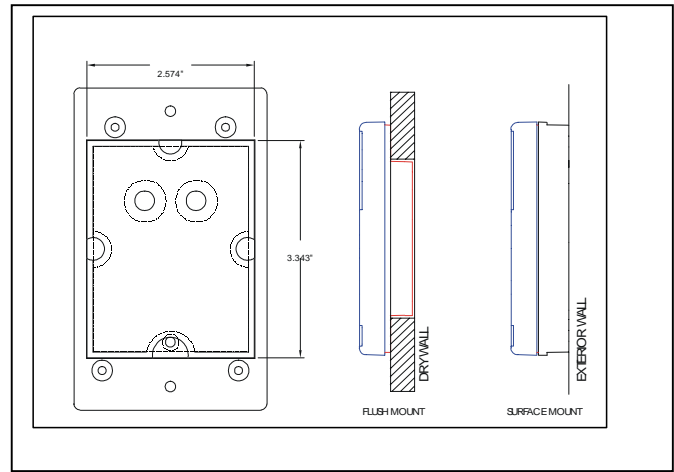
ISO 9002-94



Cert # 000879



Mullion Reader



Switchplate Reader

Specifications	Mullion Reader	Switchplate Reader
Available Options	Proximity, Proximity with Keypad–Wiegand or Matrix	Proximity, Proximity with Keypad–Wiegand or Matrix
Maximum Read Range	50 mm to 125 mm (2 to 5 inches)	50 mm to 125 mm (2 to 5 inches)
Cable Distance	Wiegand 500 feet (150 m) Matrix keypad distance based on Door Controller	Wiegand 500 feet (150 m) Matrix keypad distance based on Door Controller
Transmit Frequency	125 kHz	125 kHz
Power Supply	10 – 15 VDC	10 – 15 VDC
Material	Polycarbonate, white, charcoal gray or black	Polycarbonate, white, charcoal gray or black
Mounting	Surface	Surface or Flush
Diagnostics	Internal power up self-test	Internal power up self-test
Current Requirements	100 mA – 125 mA	100 mA – 175 mA
Enclosure	43 mm wide x 129 mm high x 19 mm deep; 1.720" wide x 5.080" high x .750" deep	78 mm wide x 129 mm high x 32 mm deep (surface) 3.1" wide x 5.1" high x 1.25" deep (surface) 78 mm wide x 129 mm high x 16 mm deep (flush) 3.1" wide x 5.1" high x .65" deep (flush)
Temperature	- 30°C to 65°C (-2F to 150°F)	- 30°C to 65°C (-22°F to 150°F)

Part Numbers

VEREX Brand	3 m cable (10')		
	White	Gray	Black
Switchplate			
Reader w/ arming station	120-8230 W	120-8230 G	120-8230 B
Reader w/ Wiegand keypad	120-8231 W	120-8231 G	120-8231 B
Reader w/ Matrix keypad	120-8233 W	120-8233 G	120-8233 B
Reader	120-8234 W	120-8234 G	120-8234 B
Mullion			
Reader w/ arming station	120-8235 W	120-8355 G	120-8235 B
Reader w/ Wiegand keypad	120-8236 W	120-8236 G	120-8236 B
Reader	120-8239 W	120-8239 G	120-8239 B

Matrix – Used for most access control systems using a 3x4 format.

Wiegand – Used for systems supporting 4 bit Wiegand key format like MONITOR ISM™.

For more information, please call your local VEREX Technology sales representative.

VEREX Technology, a division of CSG Security, is constantly working to improve products and reserves the right to alter equipment designs and specifications without notice or obligation.

© 2002 CSG Security Inc. / Sécurité CSG Inc.

5201 Explorer Drive, Mississauga, Ontario, L4W 4H1 Canada

Toll-free (USA & Canada): 1 877.249.9993
 Phone: +1 905.206.8434
 Fax: +1 905.629.4970

www.verextech.com sales@verextech.com

Rev. July, 2002

Making security easier for you